

ISOMETRIC VIEW 1"=1'-0"

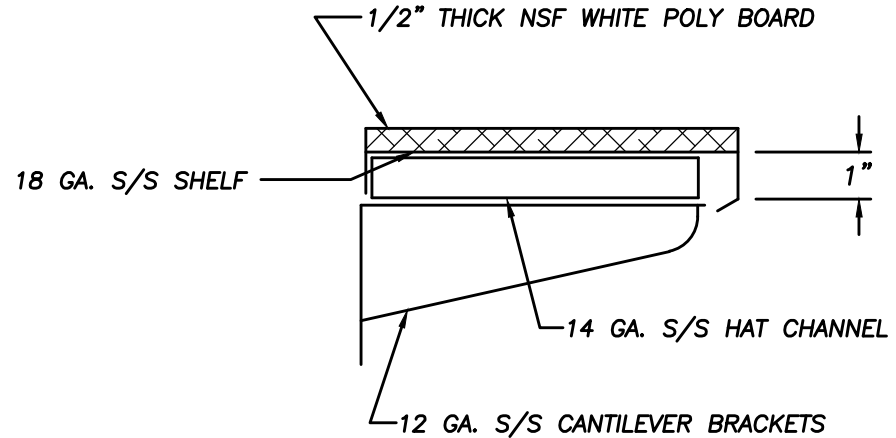
NOTES:

1/2" THICK NSF WHITE POLY BOARD

18 GA. S/S SHELF

12 GA. S/S CANTILEVER BRACKETS

14 GA. S/S HAT CHANNEL



SECTION 3"=1'-0"

AWSPT 8" WIDE WORK SHELF WITH POLY TOP



955 PATTERSON DRIVE  
 BLOOMSBURG, PA. 17815  
 TELEPHONE: (570) 387-8980 FAX: (570) 387-8982



CUSTOM BUILT  
 FOODSERVICE  
 EQUIPMENT



AMERASPEC SERIES