

NOTES:

14 GA. S/S TOP

18 GA. S/S EXTERIOR PANELS

18 GA. S/S BOTTOM SHELF AND ENDS

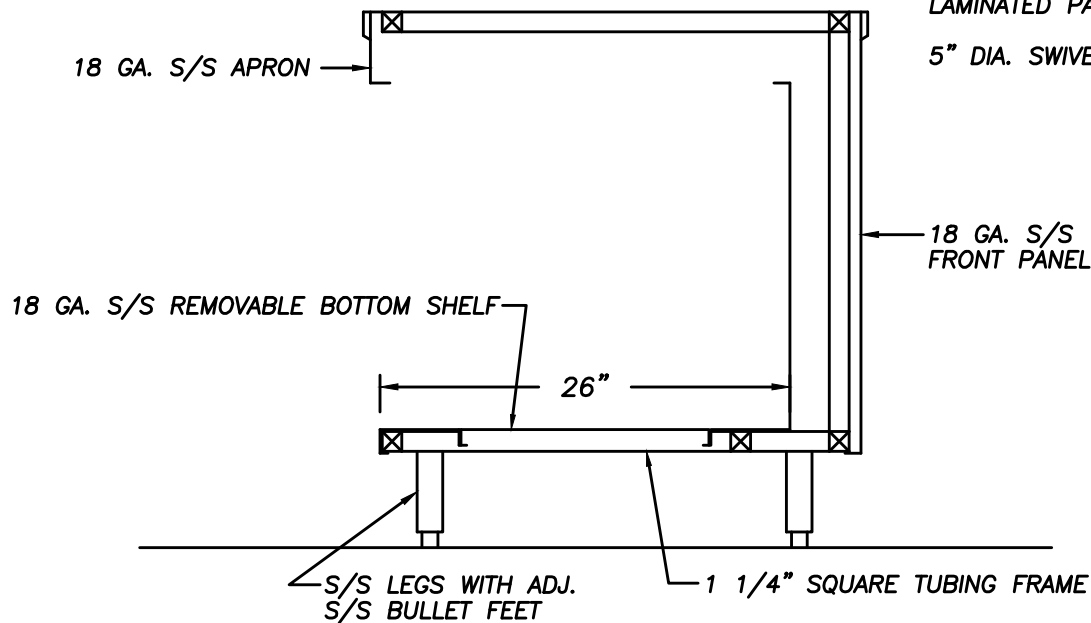
S/S LEGS WITH ADJ. S/S BULLET FEET

1 1/4" SQUARE TUBING FRAME

18 GA. S/S DOUBLE PAN HINGED DOORS

LAMINATED PANELS OPTIONAL

5" DIA. SWIVEL CASTERS WITH BRAKES OPTIONAL



SECTION 1"=1'-0"

ARBS REMOVABLE BOTTOM SHELF



955 PATTERSON DRIVE
BLOOMSBURG, PA. 17815
TELEPHONE: (570) 387-8980 FAX: (570) 387-8982



CUSTOM BUILT
FOODSERVICE
EQUIPMENT



AMERASPEC SERIES