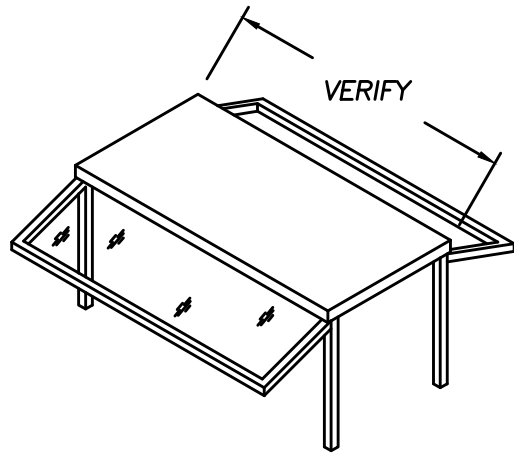


NOTES:

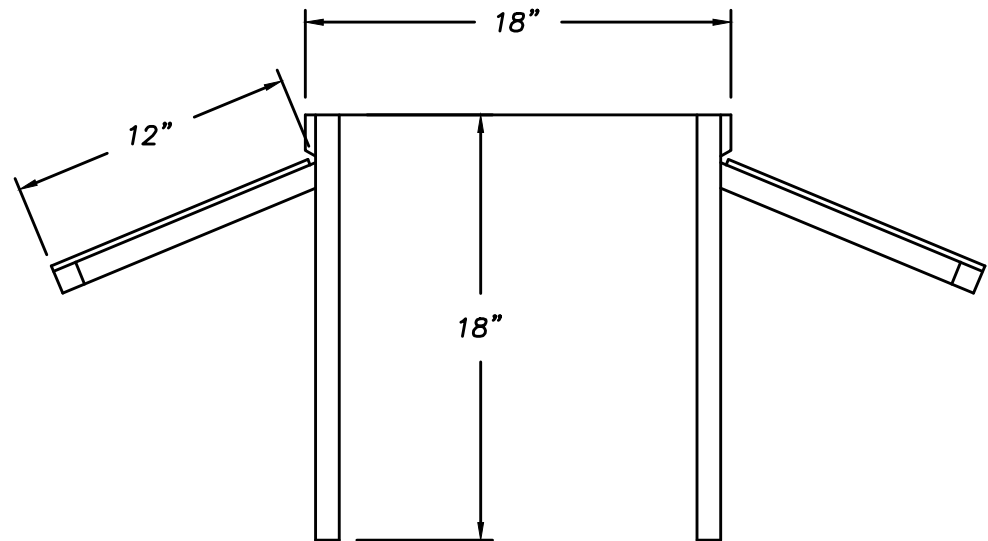
18 GA. S/S SHELF

1" SQUARE S/S TUBING UPRIGHTS

1/4" THICK SAFETY GLASS FRONT AND ENDS



ISOMETRIC VIEW 1"=1'-0"



SECTION 1 1/2"=1'-0"

ADFP DUAL FOOD PROTECTOR



955 PATTERSON DRIVE
BLOOMSBURG, PA. 17815
TELEPHONE: (570) 387-8980 FAX: (570) 387-8982



CUSTOM BUILT
FOODSERVICE
EQUIPMENT



AMERASPEC SERIES