

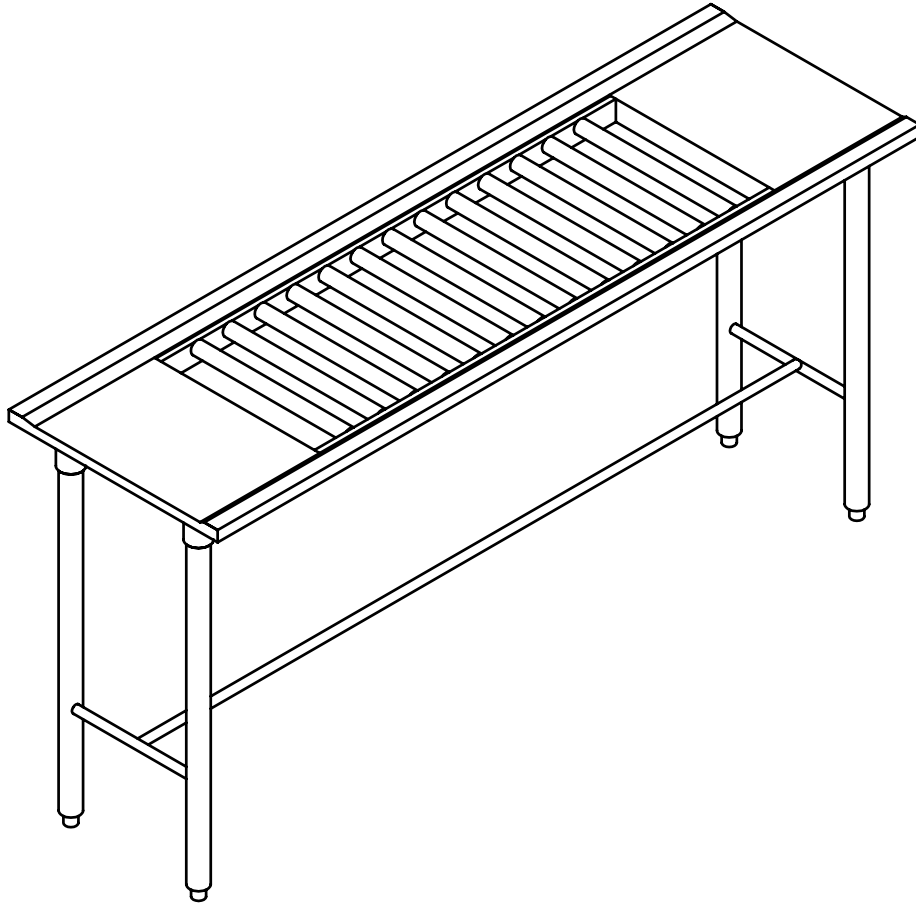
**Commercial  
Stainless**

ITEM # \_\_\_\_\_

QTY. \_\_\_\_\_

MODEL # CTMC

## TRAY MAKE-UP CONVEYOR



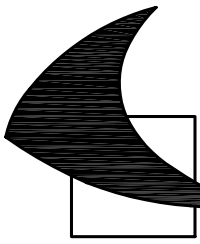
### SPECIFICATIONS

TRAY MAKE-UP CONVEYOR TO BE 14 GA. TYPE 304, 18/8 STAINLESS STEEL, POLISHED TO A # 4 SATIN FINISH. 1 7/8" DIA. NYLON ROLLERS TO BE MOUNTED IN REMOVABLE S/S CHANNEL SECTIONS FOR EASY CLEANING. UNIT TO BE MOUNTED ON 1 5/8" DIA. S/S LEGS WITH ADJUSTABLE S/S BULLET FEET AND 1" DIA. S/S CROSSRAILS.

955 PATTERSON DRIVE  
BLOOMSBURG, PA. 17815  
TELEPHONE: (570) 387-8980 FAX: (570) 387-8982



CUSTOM BUILT  
FOODSERVICE  
EQUIPMENT 



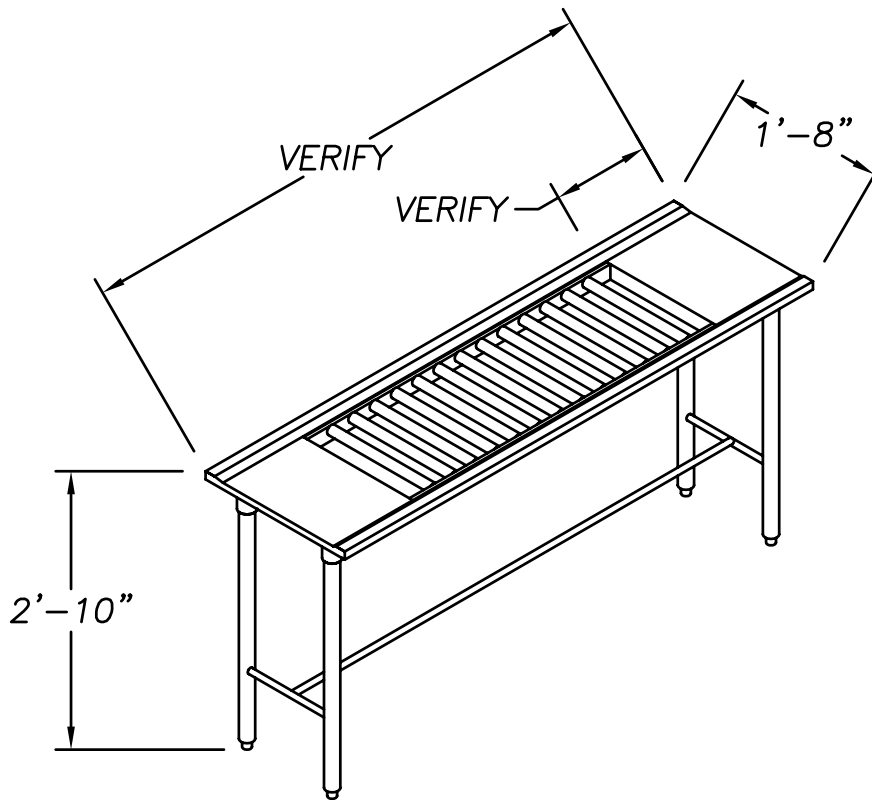
# Commercial Stainless

ITEM # \_\_\_\_\_

QTY. \_\_\_\_\_

MODEL # CTMC

## TRAY MAKE-UP CONVEYOR



### OPTIONS

1. 16 GA. S/S TOP
2. 5" DIA. SWIVEL CASTERS
3. 1 1/4" DIA. S/S CROSSRAILS

955 PATTERSON DRIVE  
BLOOMSBURG, PA. 17815  
TELEPHONE: (570) 387-8980 FAX: (570) 387-8982



CUSTOM BUILT  
FOODSERVICE  
EQUIPMENT 