

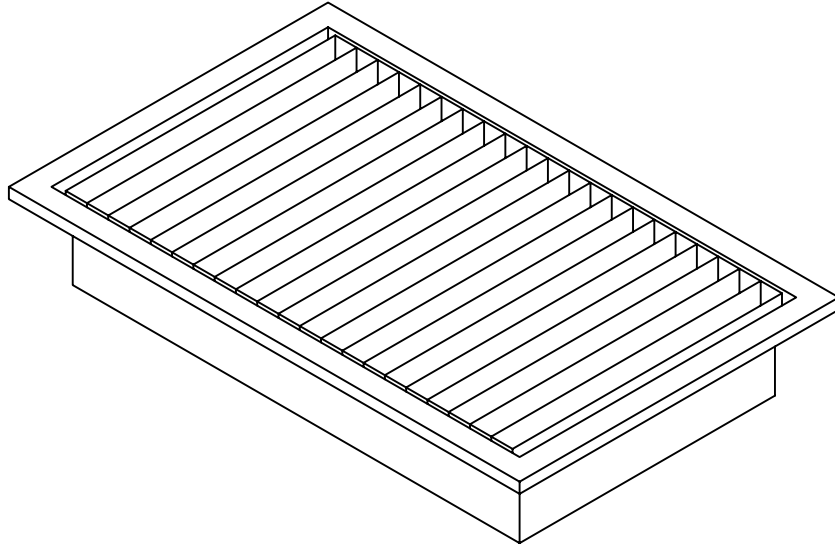
Commercial Stainless

ITEM # _____

QTY. _____

MODEL # CFT

FLOOR TROUGH



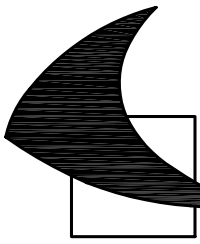
SPECIFICATIONS

FLOOR TROUGH TO BE 14 GA. TYPE 304, 18/8 STAINLESS STEEL, POLISHED TO A # 4 SATIN FINISH. ALL SEAMS WILL BE CONTINUOUSLY WELDED LIQUID TIGHT, GROUND SMOOTH & POLISHED. ALL CORNERS TO BE 1/4" RADIUS. BOTTOM TO BE PITCHED TOWARDS DRAIN. DRAIN TO INCLUDE A REMOVABLE PERFORATED SCRAP BASKET. GRATING TO BE 1/4" X 1" S/S FLAT BAR TO BE IN SECTIONS FOR EASY REMOVAL FOR CLEANING.

955 PATTERSON DRIVE
BLOOMSBURG, PA. 17815
TELEPHONE: (570) 387-8980 FAX: (570) 387-8982



CUSTOM BUILT
FOODSERVICE
EQUIPMENT 



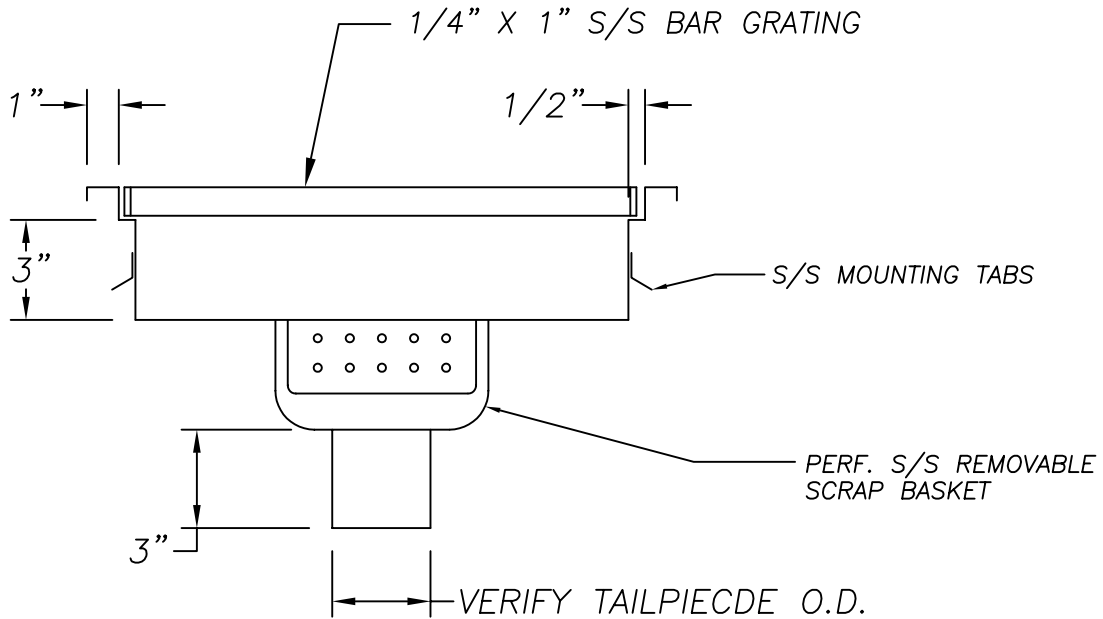
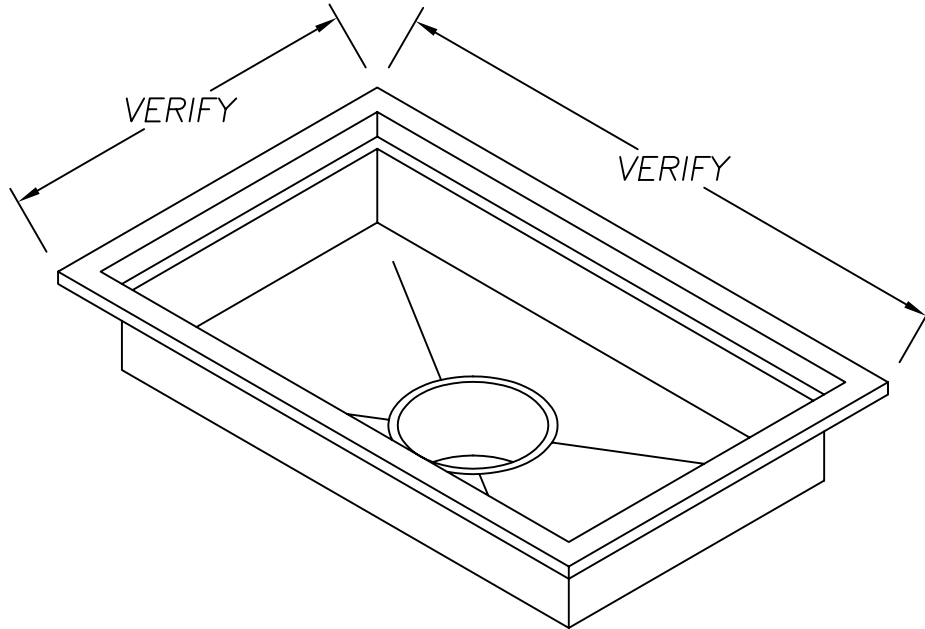
Commercial Stainless

ITEM # _____

QTY. _____

MODEL # CFT

FLOOR TROUGH



OPTIONS

1. 3/4" RADIUS COVED CORNER CONSTRUCTION
2. FIBERGLASS GRATING
3. ADDITIONAL DRAINS (QTY.)
4. ANTI-SPLASH

955 PATTERSON DRIVE
 BLOOMSBURG, PA. 17815
 TELEPHONE: (570) 387-8980 FAX: (570) 387-8982



CUSTOM BUILT
 FOODSERVICE
 EQUIPMENT 