

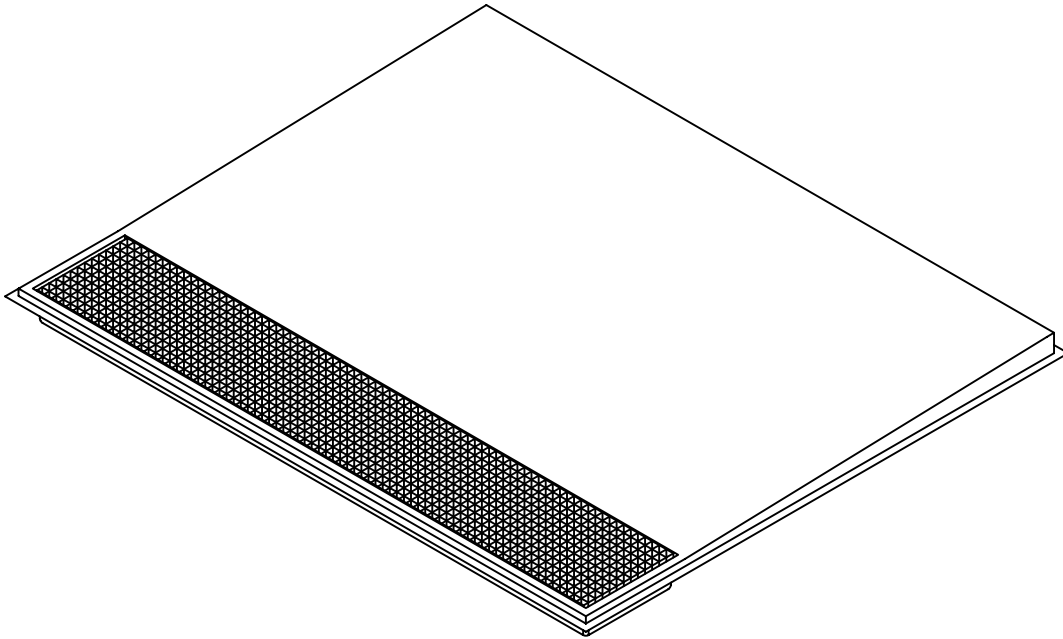
Commercial Stainless

ITEM # _____

QTY. _____

MODEL # CDP

DRAINER PAN



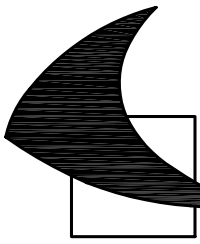
SPECIFICATIONS

DRAINER PAN TO BE 14 GA. TYPE 304 18/8 STAINLESS STEEL, POLISHED TO A # 4 SATIN FINISH. ALL SEAMS WILL BE CONTINUOUSLY WELDED LIQUID TIGHT, GROUND SMOOTH & POLISHED. ALL CORNERS IN TROUGH TO BE 3/4" RADIUS COVERED CORNERS, ALL OTHER CORNERS TO BE 1/4" RADIUS. TOP PERIMETER TO BE POLISHED TO A # 8 FINISH. GRATING TO BE 1" X 1" FIBERGLASS TO BE SIZED TO FIT INTO DISHWASHER. BOTTOM OF TROUGH TO BE PITCHED TOWARDS DRAIN. DRAIN TO INCLUDE A REMOVABLE PERFORATED SCRAP BASKET.

955 PATTERSON DRIVE
BLOOMSBURG, PA. 17815
TELEPHONE: (570) 387-8980 FAX: (570) 387-8982



CUSTOM BUILT
FOODSERVICE
EQUIPMENT 



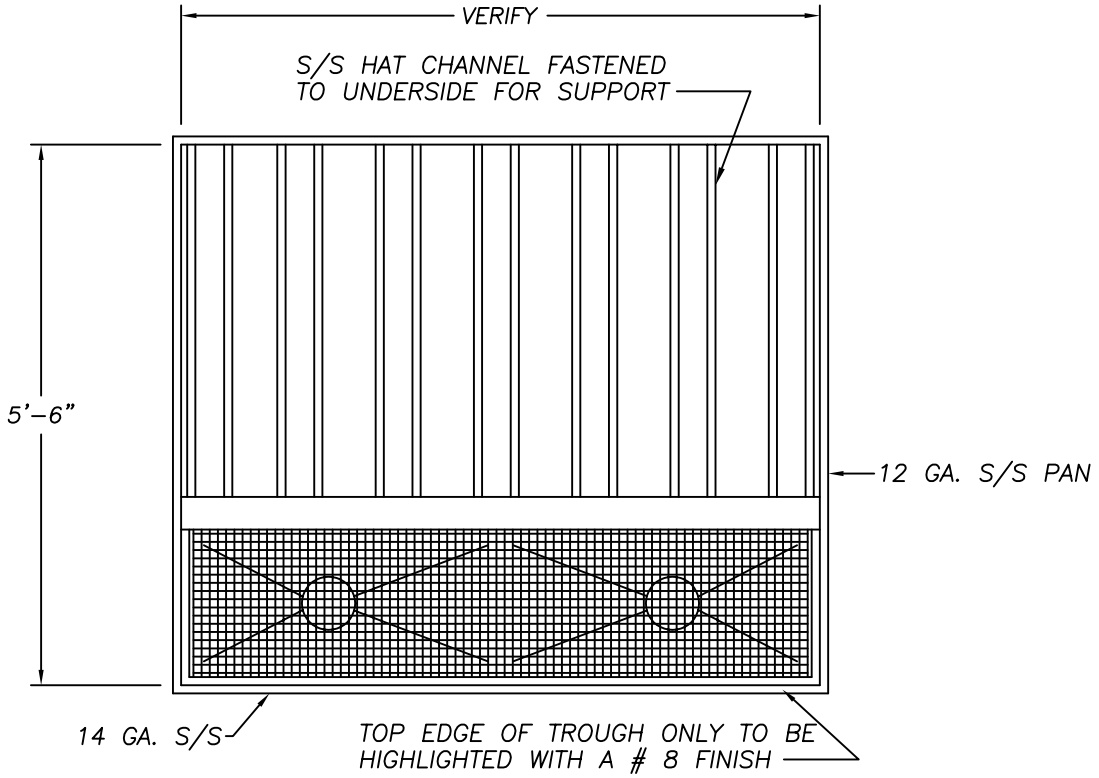
Commercial Stainless

ITEM # _____

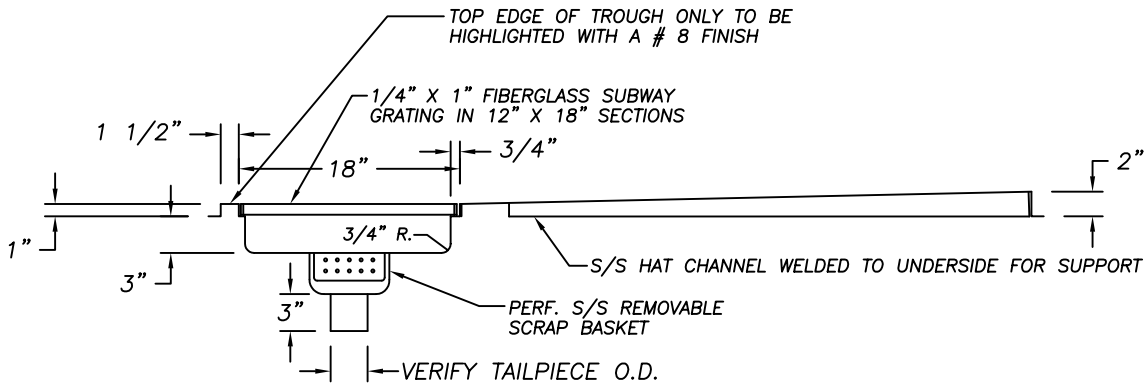
QTY. _____

MODEL # CDP

DRAINER PAN



PLAN VIEW



SECTION

OPTIONS

1. ADDITIONAL DRAINS (QTY.)
2. S/S GRATING
3. KETTLE / BRAZING PAN TROUGH EXTENSION

955 PATTERSON DRIVE
 BLOOMSBURG, PA. 17815
 TELEPHONE: (570) 387-8980 FAX: (570) 387-8982



CUSTOM BUILT
 FOODSERVICE
 EQUIPMENT 