

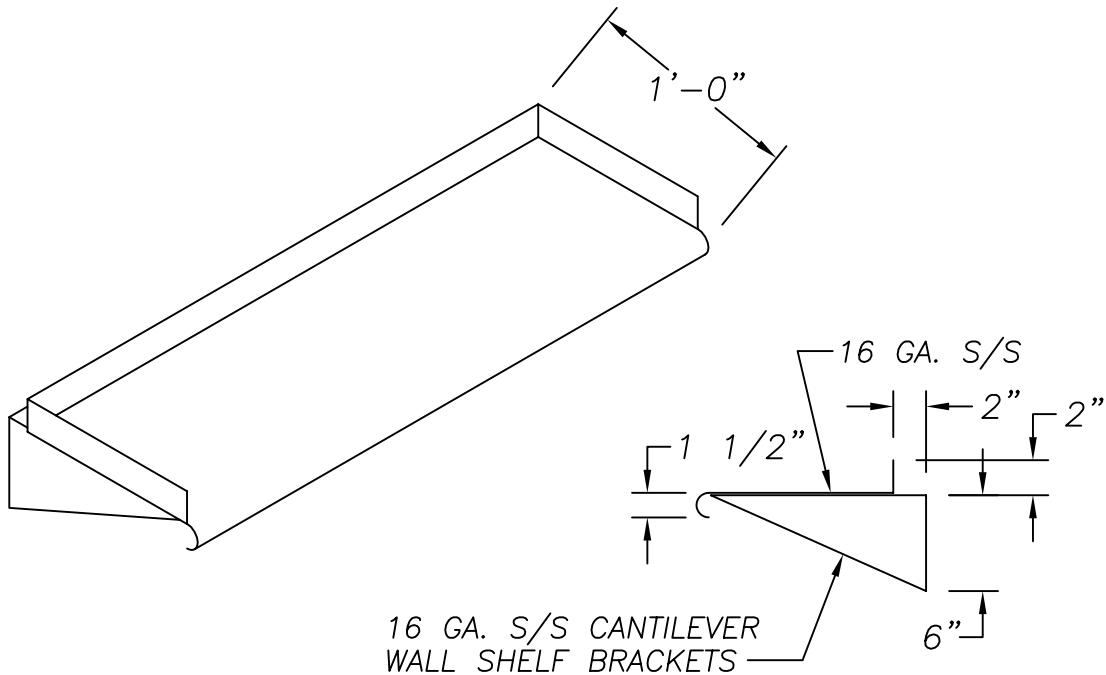
Commercial Stainless

ITEM # _____

QTY. _____

MODEL # CWSR2

ROLLED FRONT WALL SHELF MOUNTED 2" OFF WALL



SPECIFICATIONS

WALL SHELVES TO BE 16 GA. TYPE 304, 18/8 TYPE STAINLESS STEEL, POLISHED TO A # 4 SATIN FINISH. REAR & BOTH ENDS TO BE TURNED UP 2", FRONT EDGE IS TO BE A 1 1/2" DIAMETER ROLLED EDGE. BRACKETS ARE TO BE 16 GA. S/S. SOUND DEADENING ADHESIVE TO BE USED FOR FASTENING SHELF TO BRACKETS. SHELF TO BE MOUNTED 2" IN FROM REAR OF BRACKETS.

OPTIONS

- | | |
|----------------------------|----------------------------------|
| 1. 14 GA. S/S | 2. L-SHAPED |
| 3. 18 GA. S/S | 4. FIELD JOINT |
| 5. TURN-DOWN RIGHT END | 6. SPLASH MOUNTED |
| 7. TURN-DOWN LEFT END | 8. FRONT TO BACK DIMENSION _____ |
| 9. STUD-BOLTED TO BRACKETS | 10. LENGTH _____ |
| 11. 14 GA. S/S BRACKETS | |

955 PATTERSON DRIVE
BLOOMSBURG, PA. 17815
TELEPHONE: (570) 387-8980 FAX: (570) 387-8982



CUSTOM BUILT
FOODSERVICE
EQUIPMENT

