

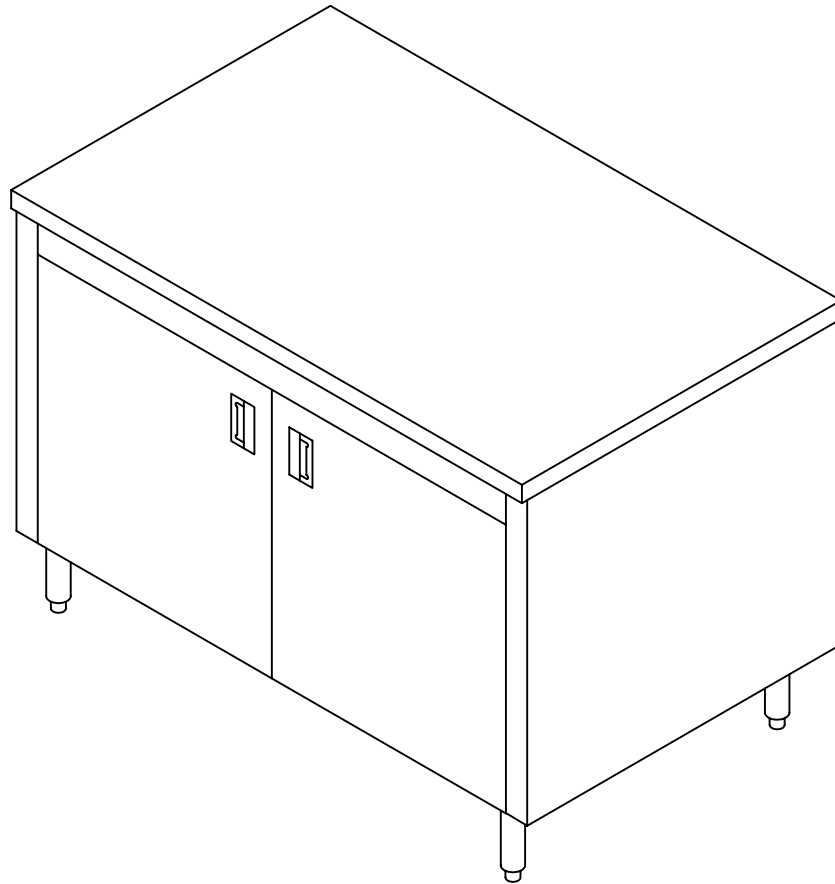
Commercial Stainless

ITEM # _____

QTY. _____

MODEL # CUCHD

UTILITY CABINET WITH HINGED DOORS



SPECIFICATIONS

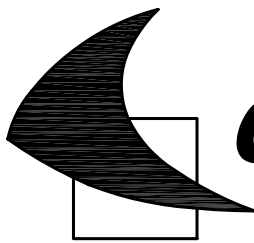
UTILITY CABINET TO HAVE 14 GA. TYPE 304, 18/8 STAINLESS STEEL, POLISHED TO A # 4 SATIN FINISH. TOP EDGE TO HAVE 1 1/2" TURN DOWN ON ALL SIDES & 1/2" RETURN ON FRONT EDGE. BOTTOM & INTERMEDIATE SHELVES TO BE 18 GA. S/S WELDED TO 18 GA. S/S SHELF ENDS. BOTH ENDS & REAR OF UNIT TO BE ENCLOSED WITH 18 GA. S/S. LEGS TO BE 6" HIGH WITH ADJUSTABLE S/S BULLET FEET. ALL WELDS TO BE GROUND SMOOTH & POLISHED. HINGED DOORS TO BE DOUBLE PAN 18 GA. S/S WITH S/S RECESSED PULL.

955 PATTERSON DRIVE
BLOOMSBURG, PA. 17815
TELEPHONE: (570) 387-8980 FAX: (570) 387-8982



CUSTOM BUILT
FOODSERVICE
EQUIPMENT





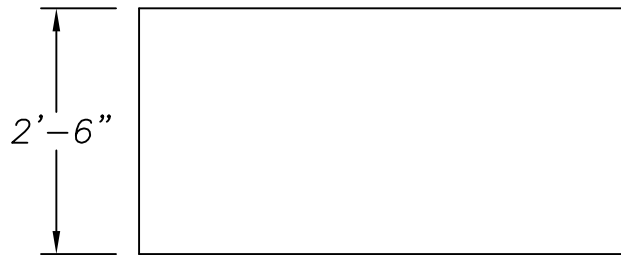
Commercial Stainless

ITEM # _____

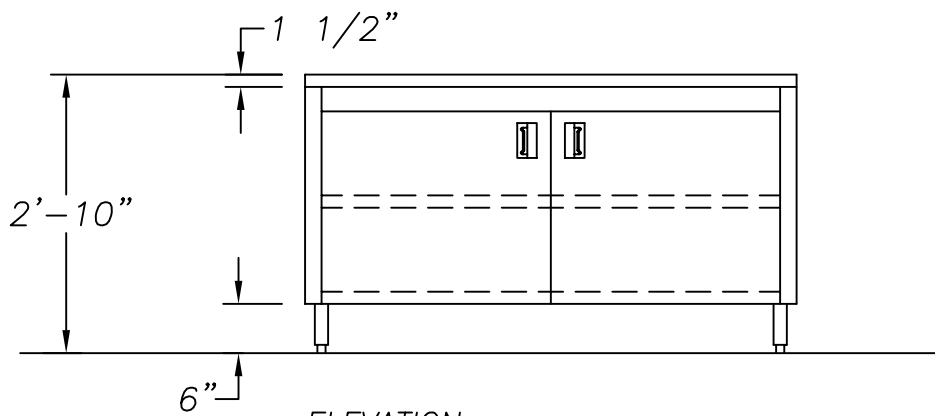
QTY. _____

MODEL # CUCHD

UTILITY CABINET WITH HINGED DOORS



PLAN VIEW



ELEVATION

OPTIONS

1. 16 GA. S/S TOP
2. ROLLED EDGE TOP
3. MARINE EDGE TOP
4. DELETE INTERMEDIATE SHELF
5. 5" DIA. SWIVEL CASTORS
6. 1 1/4" SQUARE STEEL FRAME
7. URN TROUGH
8. 1 1/4" SQUARE S/S FRAME
9. FLANGED FEET
10. REMOV. S/S KICKPLATE
11. SOUND DEADENING
12. REMOV. LAMINATED KICKPLATE
13. PLASTIC LAMINATED PANELS
14. WHITE POLY CUTTING BOARD
15. ___" X ___" X ___" DEEP SINK
16. S/S TRAY SLIDE
17. DRAIN
18. 3/4" TURN-UP ON SHELVES
19. LOCKS
20. BREAKER PANEL
21. LENGTH _____

955 PATTERSON DRIVE
BLOOMSBURG, PA. 17815
TELEPHONE: (570) 387-8980 FAX: (570) 387-8982



CUSTOM BUILT
FOODSERVICE
EQUIPMENT 