

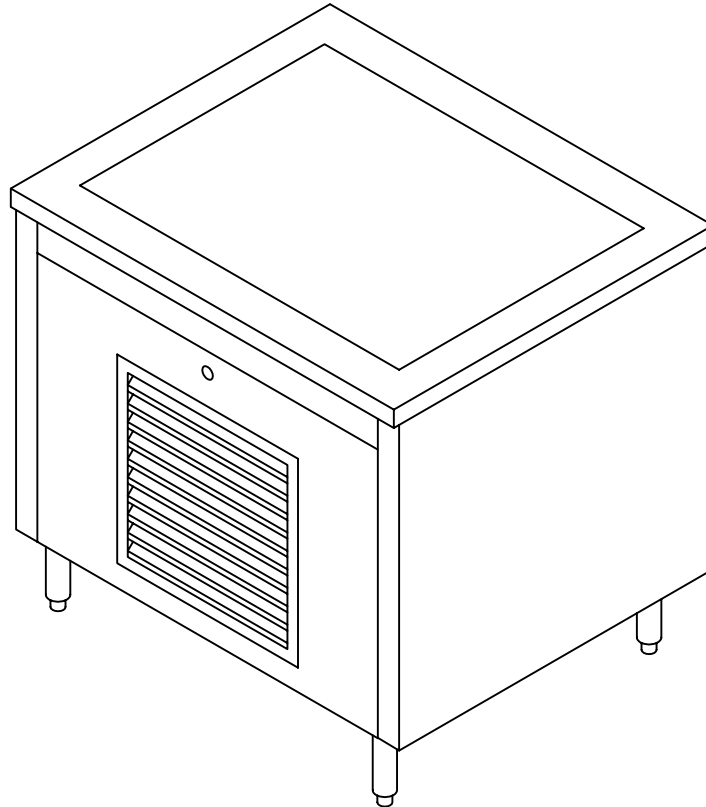
Commercial Stainless

ITEM # _____

QTY. _____

MODEL # CUCD

UTILITY CABINET FOR DROP-IN



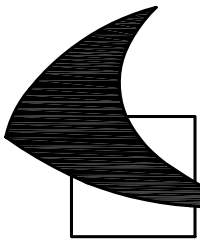
SPECIFICATIONS

UTILITY CABINET TO HAVE 14 GA. TYPE 304, 18/8 STAINLESS STEEL, POLISHED TO A # 4 SATIN FINISH. TOP EDGE TO HAVE 1 1/2" TURN DOWN ON ALL SIDES & 1/2" RETURN ON FRONT EDGE. BOTH ENDS OF UNIT TO HAVE 18 GA. S/S END PANELS. LEGS TO BE 1 5/8" O.D. S/S, 6" HIGH WITH ADJUSTABLE S/S BULLET FEET. ALL WELDS TO BE GROUND SMOOTH & POLISHED. FRONT PANEL TO BE REMOVABLE 18 GA. S/S. DROP-IN UNITS THAT REQUIRE VENTILATION WILL BE SUPPLIED WITH A 15" X 15" S/S LOUVER.

955 PATTERSON DRIVE
BLOOMSBURG, PA. 17815
TELEPHONE: (570) 387-8980 FAX: (570) 387-8982



CUSTOM BUILT
FOODSERVICE
EQUIPMENT 



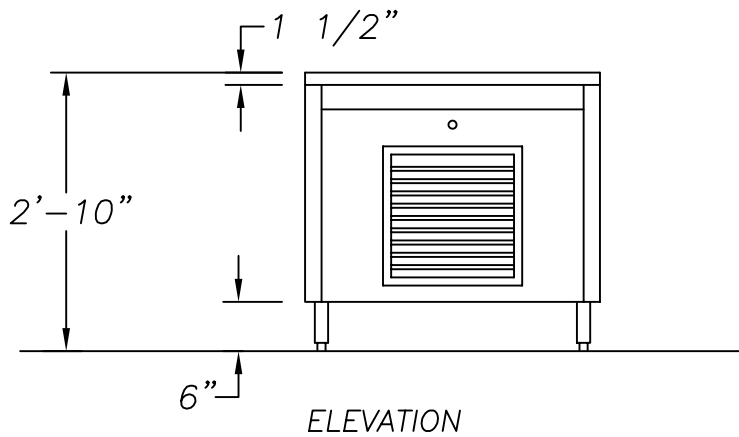
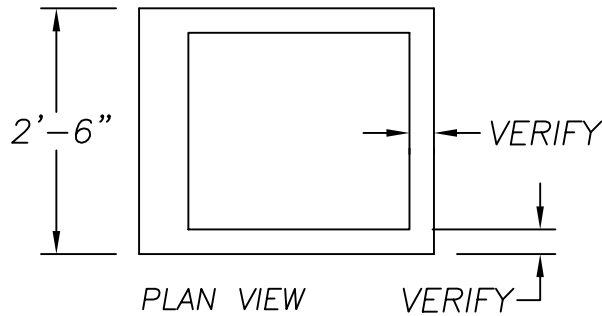
Commercial Stainless

ITEM # _____

QTY. _____

MODEL # CUCD

UTILITY CABINET FOR DROP-IN



DROP-IN MFG. _____

DROP-IN MODEL _____

OPTIONS

- | | |
|------------------------------|--------------------------------|
| 1. 16 GA. S/S TOP | 2. ROLLED EDGE TOP |
| 3. MARINE EDGE TOP | 4. 1 1/4" SQUARE STEEL FRAME |
| 5. 5" DIA. SWIVEL CASTORS | 6. 1 1/4" SQUARE S/S FRAME |
| 7. FLANGED FEET | 8. REMOV. S/S KICKPLATE |
| 9. SOUND DEADENING | 10. REMOV. LAMINATED KICKPLATE |
| 11. PLASTIC LAMINATED PANELS | 12. S/S TRAY SLIDE |
| 13. LENGTH _____ | |