

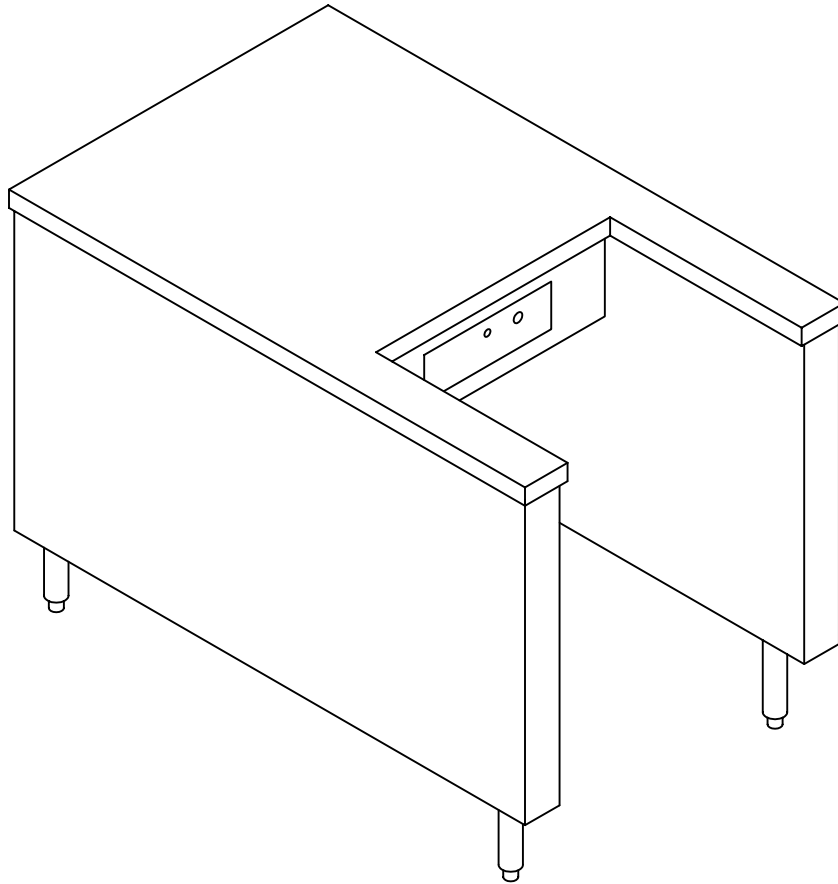
Commercial Stainless

ITEM # _____

QTY. _____

MODEL # CCSU

U-SHAPED CASHIER STAND



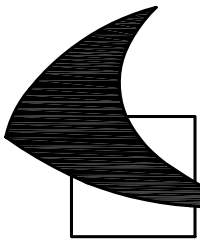
SPECIFICATIONS

CASHIER STAND TO HAVE 14 GA. TYPE 304, 18/8 STAINLESS STEEL, POLISHED TO A # 4 SATIN FINISH. TOP EDGE TO HAVE A 1 1/2" TURN DOWN ON ALL SIDES & 1/2" RETURN ON FRONT & AT CASH DRAWER LOCATION. STAND TO BE ENCLOSED WITH 18 GA. S/S. LEGS TO BE 1 5/8" O.D. S/S, 6" HIGH WITH ADJUSTABLE S/S BULLET FEET. UNIT TO BE SUPPLIED WITH A CASH DRAWER AND 1 5/8" O.D. S/S FOOT REST. TOP TO BE RECESSED 1'-6" FOR CASHIER.

955 PATTERSON DRIVE
BLOOMSBURG, PA. 17815
TELEPHONE: (570) 387-8980 FAX: (570) 387-8982



CUSTOM BUILT
FOODSERVICE
EQUIPMENT 



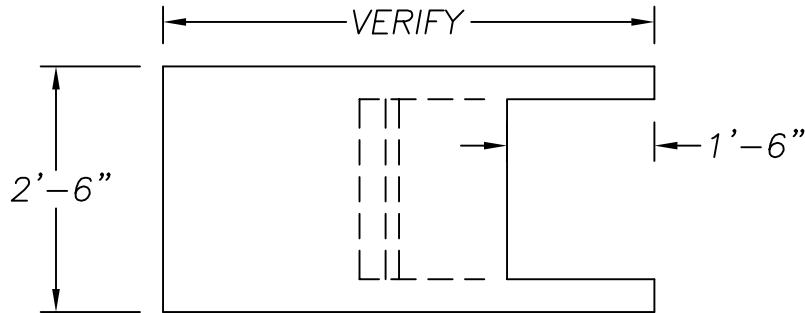
Commercial Stainless

ITEM # _____

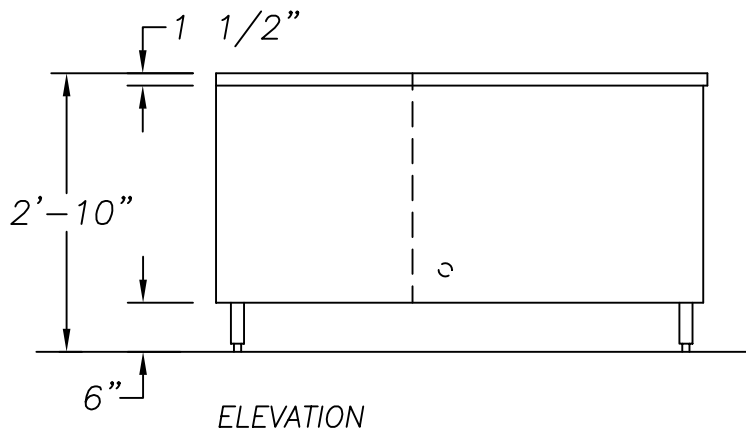
QTY. _____

MODEL # CCSU

U-SHAPED CASHIER STAND



PLAN VIEW



ELEVATION

OPTIONS

- | | |
|--|-------------------------------|
| 1. 16 GA. S/S TOP | 2. ROLLED EDGE TOP |
| 3. 5" DIA. SWIVEL CASTORS | 4. 1 1/4" SQUARE STEEL FRAME |
| 5. FLANGED FEET | 6. 1 1/4" SQUARE S/S FRAME |
| 7. SOUND DEADENING | 8. REMOV. LAMINATED KICKPLATE |
| 9. PLASTIC LAMINATED PANELS | 10. REMOV. S/S KICKPLATE |
| 11. FIXED S/S TRAY SLIDE | 12. DELETE CASH DRAWER |
| 13. FIXED SOLID SURFACE TRAY SLIDE | 14. LENGTH _____ |
| 15. FOLD DOWN S/S TRAY SLIDE | 16. GROMMET FOR REGISTER CORD |
| 17. FOLD DOWN SOLID SURFACE TRAY SLIDE | 18. SURFACE RECEPTACLE |