



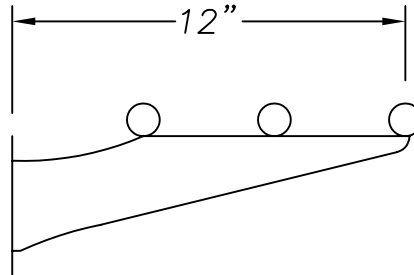
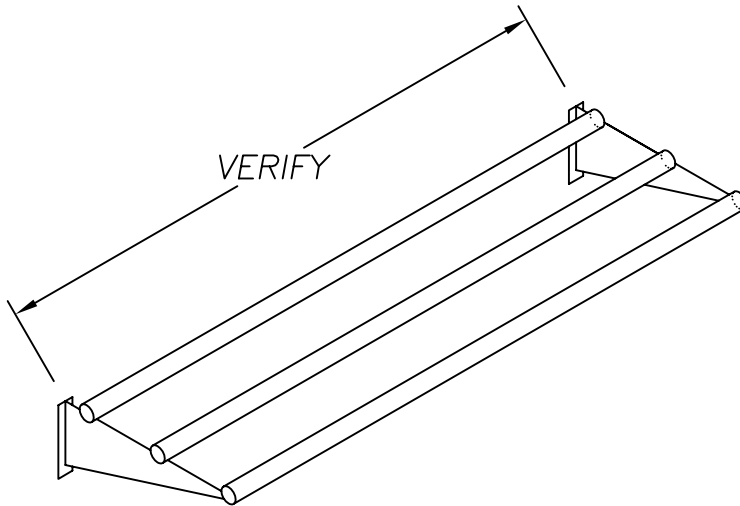
Commercial Stainless

ITEM # _____

QTY. _____

MODEL # CTTS

TUBULAR TRAY SLIDE



SPECIFICATIONS

TUBULAR TRAY SLIDE TO BE 1" DIA. TYPE 304, 18/8 STAINLESS STEEL TUBING, POLISHED TO A # 4 SATIN FINISH. CANTILEVER BRACKETS TO BE 14 GA. S/S WELDED TO TUBING.

OPTIONS

- 1. 1 1/4" O.D. S/S TUBING
- 2. FOLD DOWN BRACKETS

955 PATTERSON DRIVE
BLOOMSBURG, PA. 17815
TELEPHONE: (570) 387-8980 FAX: (570) 387-8982



CUSTOM BUILT
FOODSERVICE
EQUIPMENT 