

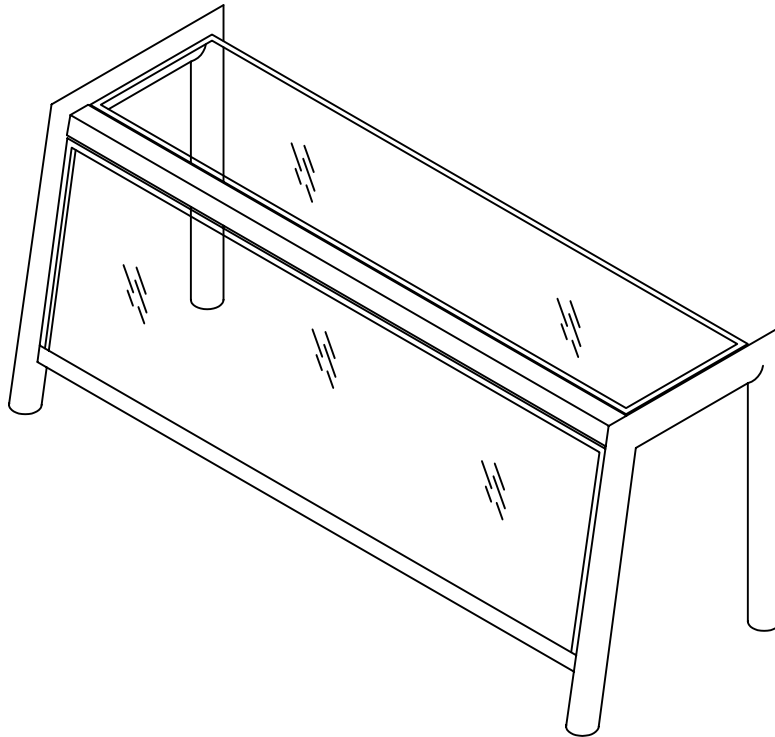
Commercial Stainless

ITEM # _____

QTY. _____

MODEL # CTSG

TUBULAR SNEEZE GUARD



SPECIFICATIONS

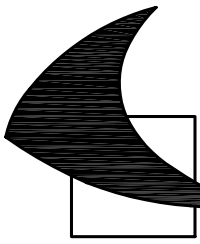
TUBULAR SNEEZE GUARD TO BE 1 5/8" O.D. TYPE 304, 18/8 STAINLESS STEEL TUBING, POLISHED TO A # 4 SATIN FINISH. GLASS SUPPORTS TO BE 16 GA. S/S. ALL EXTERNAL SEAMS TO BE CONTINUOUSLY WELDED, GROUND SMOOTH, AND POLISHED. SHELF TO BE 3/8" THICK TEMPERED GLASS, FRONTS TO BE 1/4" THICK TEMPERED GLASS. ALL GLASS TO HAVE EXPOSED EDGES CAPPED WITH S/S TRIM.

955 PATTERSON DRIVE
BLOOMSBURG, PA. 17815
TELEPHONE: (570) 387-8980 FAX: (570) 387-8982



CUSTOM BUILT
FOODSERVICE
EQUIPMENT





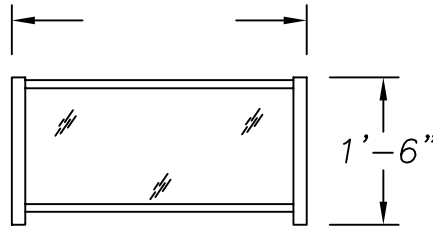
**Commercial
Stainless**

ITEM # _____

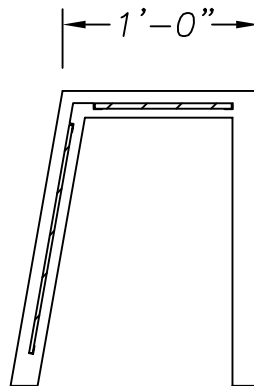
QTY. _____

MODEL # CTSG

TUBULAR SNEEZE GUARD



ELEVATION



SECTION

OPTIONS

1. 1/4" GLASS SHELF
2. FLUORESCENT LIGHTS
3. # 8 FINISH S/S TUBING
4. POLISHED EDGES ON GLASS
5. 5" HIGH GLASS FRONT

955 PATTERSON DRIVE
BLOOMSBURG, PA. 17815
TELEPHONE: (570) 387-8980 FAX: (570) 387-8982



CUSTOM BUILT
FOODSERVICE
EQUIPMENT 