

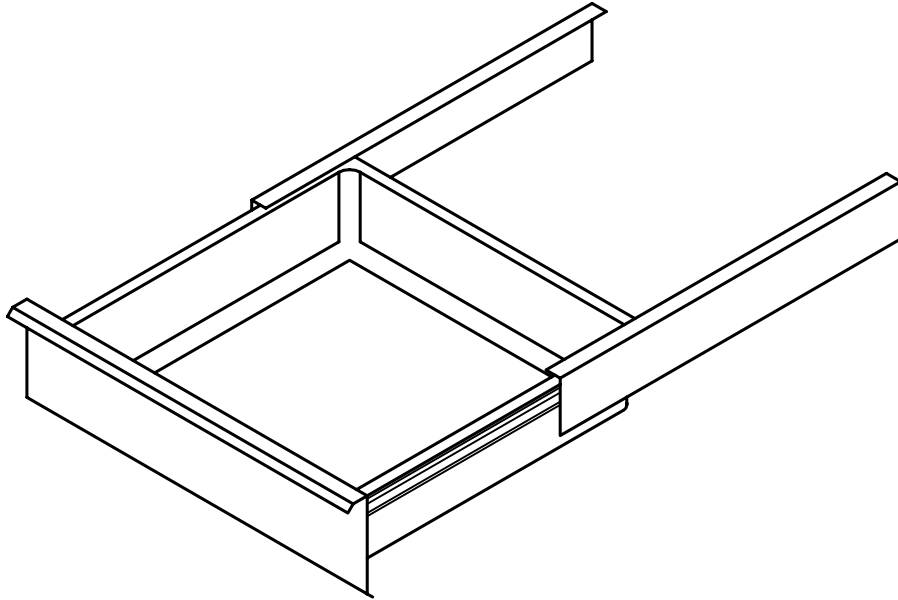
Commercial Stainless

ITEM # _____

QTY. _____

MODEL # CDS

STANDARD DRAWER



SPECIFICATIONS

STANDARD DRAWER TO BE 18 GA. TYPE 304, 18/8 STAINLESS STEEL, POLISHED TO A # 4 FINISH. DRAWER SLIDES TO BE 75 LB. CAPACITY PER PAIR. DRAWER FACE TO BE 18 GA. S/S WITH INTEGRAL PULL. DRAWER LINER TO BE S/S REMOVABLE 20" X 20" X 5" DEEP.

OPTIONS

1. LOCK

955 PATTERSON DRIVE
BLOOMSBURG, PA. 17815
TELEPHONE: (570) 387-8980 FAX: (570) 387-8982



CUSTOM BUILT
FOODSERVICE
EQUIPMENT

