



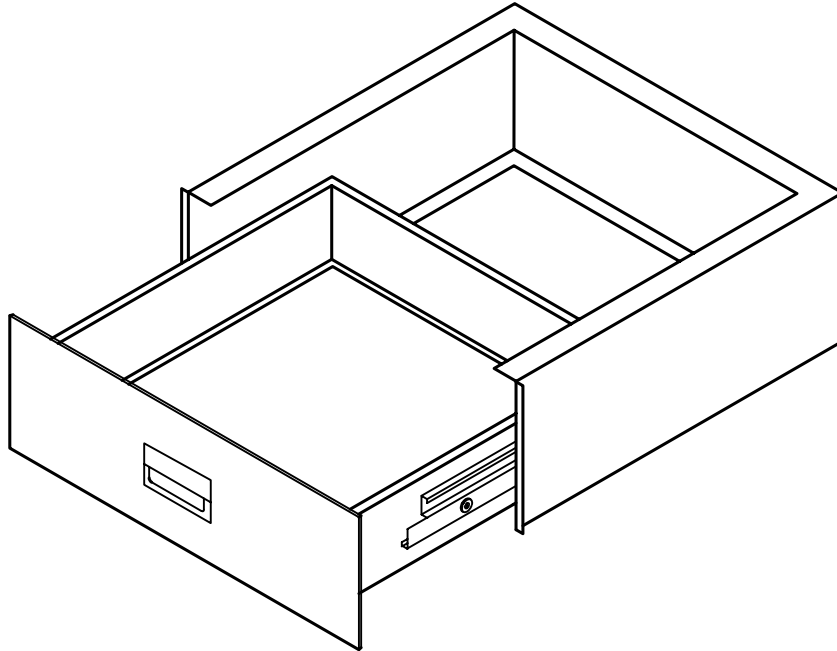
Commercial Stainless

ITEM # _____

QTY. _____

MODEL # CSLD

SPEC LINE DRAWER



SPECIFICATIONS

SPEC LINE DRAWER INTERIOR & EXTERIOR TO BE 18 GA. TYPE 304, 18/8 STAINLESS STEEL, POLISHED TO A # 4 FINISH. S/S DRAWER SLIDES TO BE 200 LB. CAPACITY PER PAIR. DRAWER FACE TO BE 14 GA. S/S WITH RECESSED PULL. DRAWER LINER TO BE S/S REMOVABLE 20" X 20" X 5" DEEP.

OPTIONS

- | | |
|--|--------------------------|
| 1. DRAWER FACE WITH INTEGRAL PULL | 2. S/S ROLLERS |
| 3. REMOV. 20" X 20" X 5" PLASTIC LINER | 4. LOCK |
| 5. 18 GA. S/S ENCLOSED BOTTOM | 6. CUTTING BOARD BENEATH |

955 PATTERSON DRIVE
BLOOMSBURG, PA. 17815
TELEPHONE: (570) 387-8980 FAX: (570) 387-8982



CUSTOM BUILT
FOODSERVICE
EQUIPMENT 