

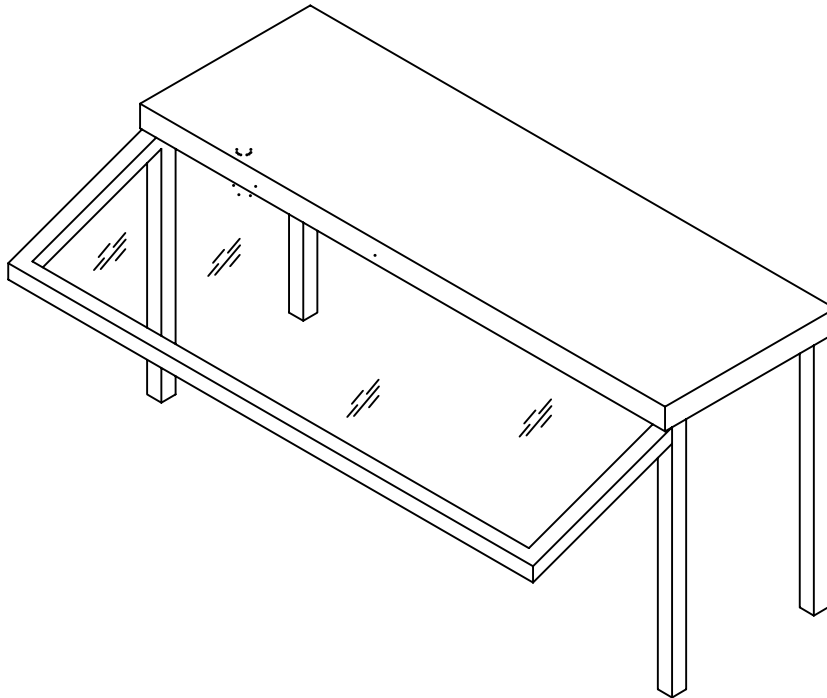
# Commercial Stainless

ITEM # \_\_\_\_\_

QTY. \_\_\_\_\_

MODEL # CSG

## SNEEZE GUARD



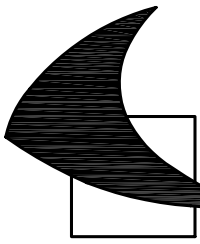
### SPECIFICATIONS

SNEEZE GUARD TO BE 16 GA. TYPE 304, 18/8 STAINLESS STEEL, POLISHED TO A # 4 SATIN FINISH. UPRIGHTS TO BE 1 1/4" SQUARE S/S TUBING. ALL EXTERNAL SEAMS TO BE CONTINUOUSLY WELDED, GROUND SMOOTH, AND POLISHED. GLASS TO BE 1/4" THICK TEMPERED WITH EDGES CAPPED WITH S/S TRIM.

955 PATTERSON DRIVE  
BLOOMSBURG, PA. 17815  
TELEPHONE: (570) 387-8980 FAX: (570) 387-8982



CUSTOM BUILT  
FOODSERVICE  
EQUIPMENT 



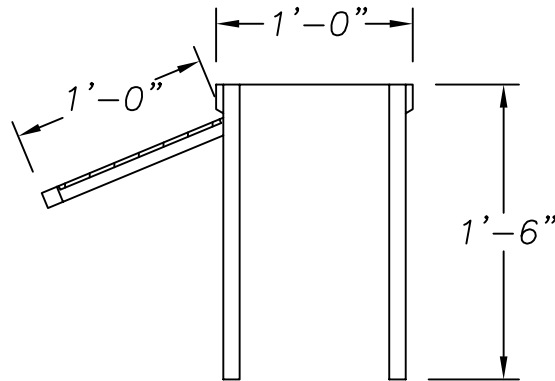
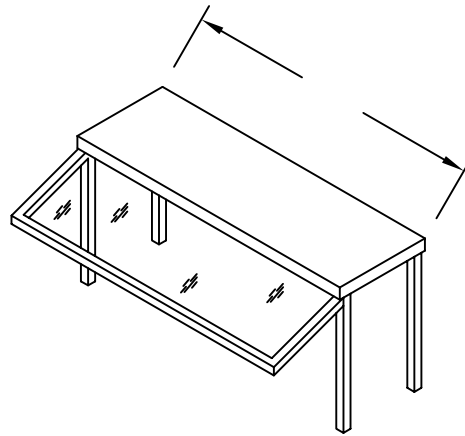
# Commercial Stainless

ITEM # \_\_\_\_\_

QTY. \_\_\_\_\_

MODEL # CSG

## SNEEZE GUARD



### OPTIONS

- |                              |                            |
|------------------------------|----------------------------|
| 1. 14 GA. S/S SHELF          | 2. 3/8" THICK GLASS        |
| 3. 1" SQUARE TUBING UPRIGHTS | 4. POLISHED EDGES ON GLASS |
| 5. # 8 FINISH S/S TUBING     | 6. FLUORESCENT LIGHT       |

955 PATTERSON DRIVE  
BLOOMSBURG, PA. 17815  
TELEPHONE: (570) 387-8980 FAX: (570) 387-8982



CUSTOM BUILT  
FOODSERVICE  
EQUIPMENT

