



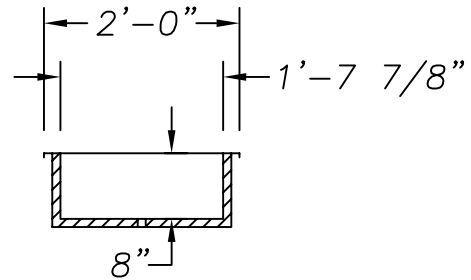
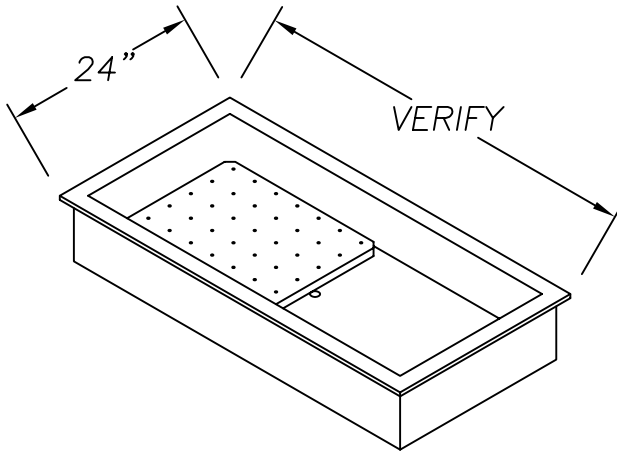
# Commercial Stainless

ITEM # \_\_\_\_\_

QTY. \_\_\_\_\_

MODEL # CIP

## DROP-IN ICE PAN



CUT-OUT TO BE 1 3/4" SMALLER THAN OVERALL FLANGE DIMENSIONS

### SPECIFICATIONS

DROP-IN ICE PAN TO BE 18 GA. TYPE 304 18/8 STAINLESS STEEL, POLISHED TO A # 4 SATIN FINISH. ICE PAN TO BE 8" DEEP AND TO HAVE A 2" WIDE FLANGE ON TOP. PAN TO HAVE 1" THICK INSULATION ON SIDES AND BOTTOM, HELD IN PLACE BY 20 GA. GALV. EXTERIOR LINER. ICE PAN TO BE PROVIDED WITH REMOVABLE 20 GA. S/S PERF. FALSE BOTTOMS. 1" DRAIN TO BE PROVIDED AT DESIGNATED LOCATION.

### OPTIONS

- |                          |                              |
|--------------------------|------------------------------|
| 1. 14 GA. S/S ICE PAN    | 2. 16 GA. S/S ICE PAN        |
| 3. 3/4" R. COVED CORNERS | 4. 20 GA. S/S EXTERIOR LINER |

955 PATTERSON DRIVE  
BLOOMSBURG, PA. 17815  
TELEPHONE: (570) 387-8980 FAX: (570) 387-8982



CUSTOM BUILT  
FOODSERVICE  
EQUIPMENT 