

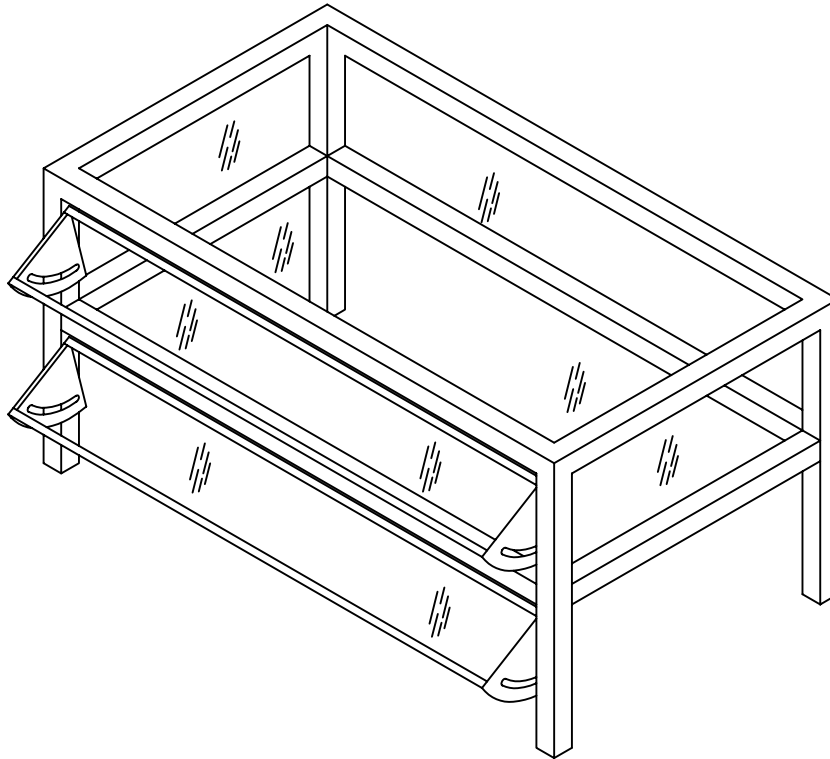
Commercial Stainless

ITEM # _____

QTY. _____

MODEL # CDC

DISPLAY CASE



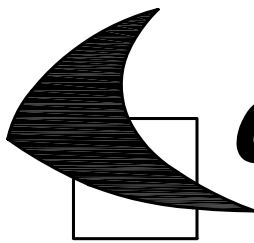
SPECIFICATIONS

DISPLAY CASE TO BE 1 1/4" SQUARE STAINLESS STEEL, POLISHED TO A # 4 SATIN FINISH. SHELVES TO BE 1/4" THICK TEMPERED GLASS WITH EXPOSED EDGES CAPPED WITH S/S TRIM. SNEEZE GUARDS TO BE 1/4" THICK TEMPERED GLASS MOUNTED IN ADJUSTABLE 5" BRACKETS.

955 PATTERSON DRIVE
BLOOMSBURG, PA. 17815
TELEPHONE: (570) 387-8980 FAX: (570) 387-8982



CUSTOM BUILT
FOODSERVICE
EQUIPMENT 



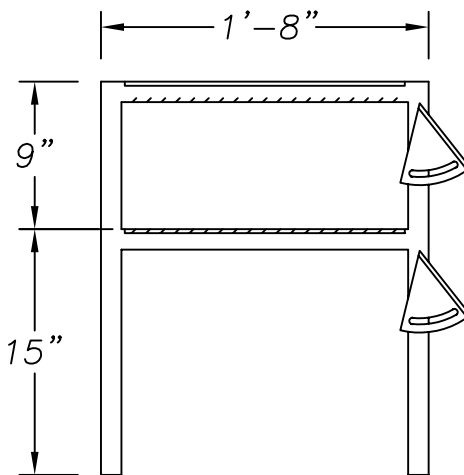
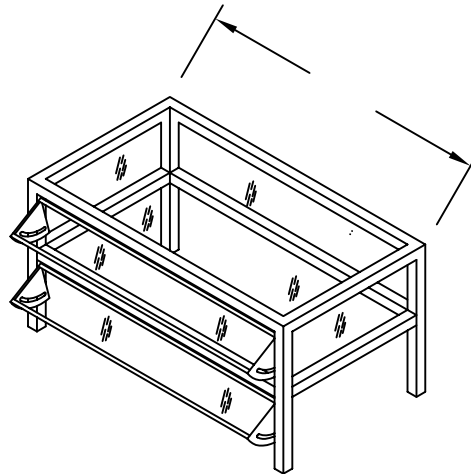
Commercial Stainless

ITEM # _____

QTY. _____

MODEL # CDC

DISPLAY CASE



OPTIONS

1. 3/8" GLASS SHELVES
2. # 8 FINISH S/S TUBING
3. FLUORESCENT LIGHTS (QTY.)
4. POLISHED EDGES ON GLASS
5. 5" ADJ. BRACKETS ON BOTH SIDES
6. 1 SQUARE TUBING UPRIGHTS

955 PATTERSON DRIVE
BLOOMSBURG, PA. 17815
TELEPHONE: (570) 387-8980 FAX: (570) 387-8982



CUSTOM BUILT
FOODSERVICE
EQUIPMENT

