



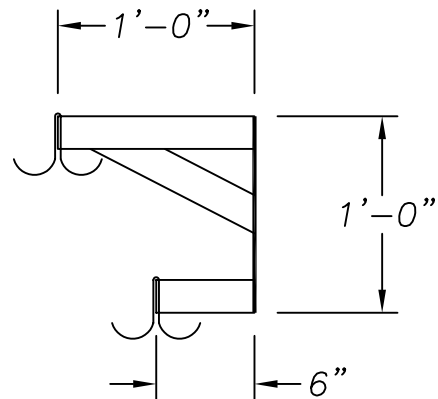
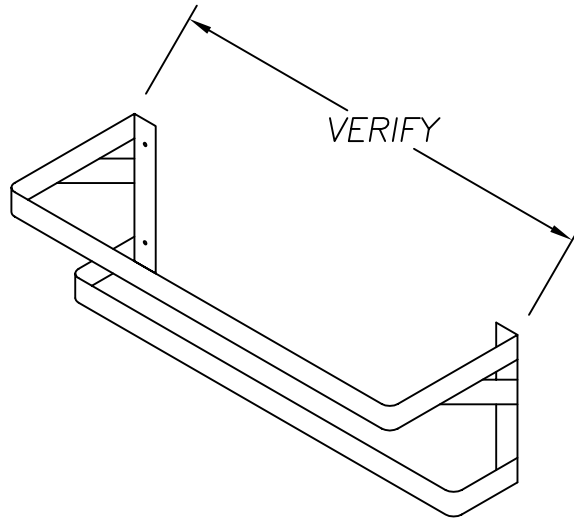
Commercial Stainless

ITEM # _____

QTY. _____

MODEL # CWPR

WALL MOUNTED POT RACK



SPECIFICATIONS

WALL MOUNTED POT RACK TO BE 1/4" X 2" TYPE 304, 18/8 STAINLESS STEEL FLAT BAR, POLISHED TO A # 4 FINISH. ALL SEAMS TO BE CONTINUOUSLY WELDED, GROUND SMOOTH & POLISHED. POT HOOKS TO BE S/S DOUBLE SIDED, SPACED APPROXIMATELY 9" APART.

OPTIONS

1. EXTRA POT HOOKS

955 PATTERSON DRIVE
BLOOMSBURG, PA. 17815
TELEPHONE: (570) 387-8980 FAX: (570) 387-8982



CUSTOM BUILT
FOODSERVICE
EQUIPMENT 