



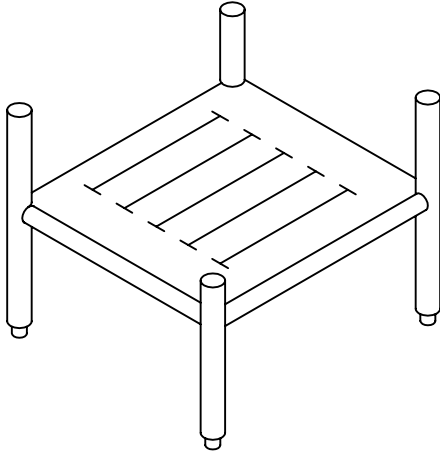
Commercial Stainless

ITEM # _____

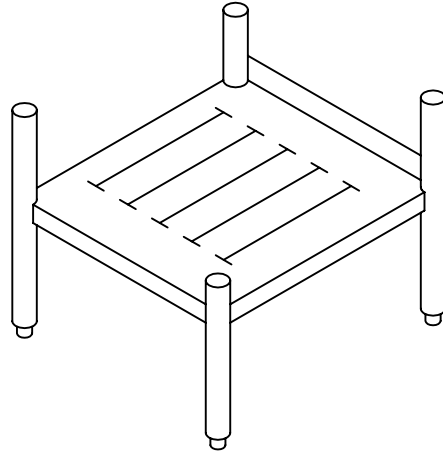
QTY. _____

MODEL # CUO

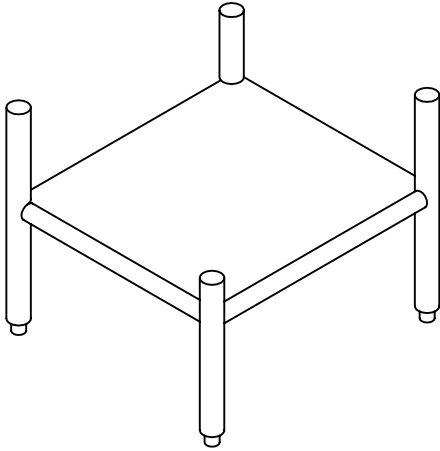
UNDERSHELF OPTIONS



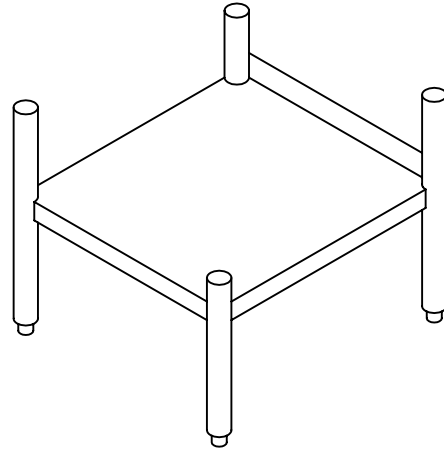
REMOVABLE SLOTTED UNDERSHELF
MODEL # CUO-RSU



SLOTTED UNDERSHELF
MODEL # CUO-SU



REMOVABLE SOLID UNDERSHELF
MODEL # CUO-RU



SOLID UNDERSHELF
MODEL # CUO-U

SPECIFICATIONS

UNDERSHELVES TO BE 16 GA. TYPE 304, 18/8 STAINLESS STEEL, POLISHED TO A # 4 FINISH. UNDERSHELVES TO BE CONTINUOUSLY WELDED TO LEGS, GROUND SMOOTH, & POLISHED. UNDERSHELVES TO BE TURNED UP AT ALL SPLASH LOCATIONS. SLOTTED UNDERSHELVES TO HAVE 12" LONG SLOTS SPACED ON 3" CENTERS. REMOVABLE UNDERSHELVES TO SET ON 1" O.D. S/S CROSSRAILS.

OPTIONS

1. 18 GA. S/S UNDERSHELF
2. 1 1/4" O.D. S/S CROSSRAILS (REMOV. UNDERSHELVES ONLY)

955 PATTERSON DRIVE
BLOOMSBURG, PA. 17815
TELEPHONE: (570) 387-8980 FAX: (570) 387-8982



CUSTOM BUILT
FOODSERVICE
EQUIPMENT 