

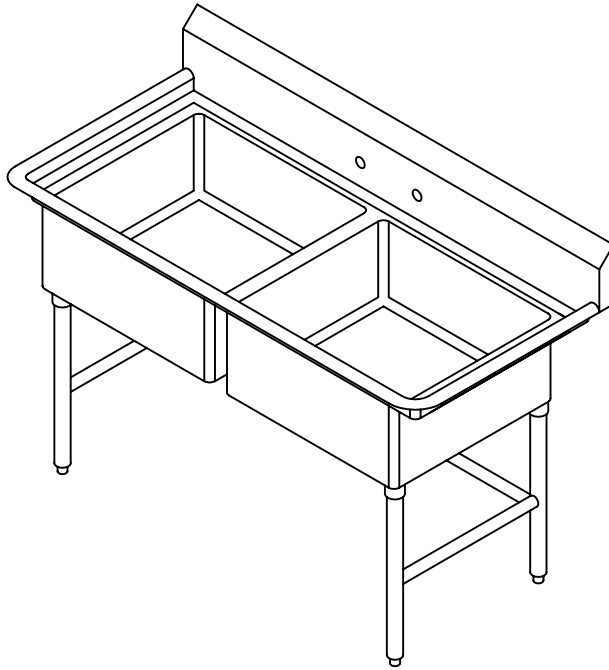
# Commercial Stainless

ITEM # \_\_\_\_\_

QTY. \_\_\_\_\_

MODEL # C2BS

## TWO (2) BOWL SINK



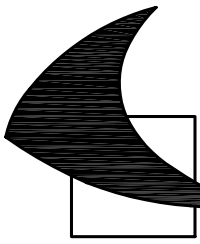
### SPECIFICATIONS

TWO (2) BOWL SINK & TOP TO BE 14 GA. TYPE 304, 18-8 STAINLESS STEEL, POLISHED TO A # 4 SATIN FINISH. ALL SEAMS TO BE CONTINUOUSLY WELDED, GROUND SMOOTH, & POLISHED. ALL HORIZONTAL & VERTICAL CORNERS ARE TO BE 3/4" RADIUS COVED CORNERS. 8" HIGH SPLASH TO BE 2" THICK WITH RETURN TO WALL ON A 45° ANGLE. LEGS TO BE 1 5/8" O.D. S/S TUBING WELDED TO S/S PLATE. S/S PLATE IS TO BE WELDED TO BOTTOM OF SINKS. CROSSRAILS TO BE 1" O.D. S/S TUBING CONTINUOUSLY WELDED TO LEGS. SINKS TO BE WELDED INTO THE TOP WITH A 2" SPACE BETWEEN THE SINKS.

955 PATTERSON DRIVE  
BLOOMSBURG, PA. 17815  
TELEPHONE: (570) 387-8980 FAX: (570) 387-8982



CUSTOM BUILT  
FOODSERVICE  
EQUIPMENT 



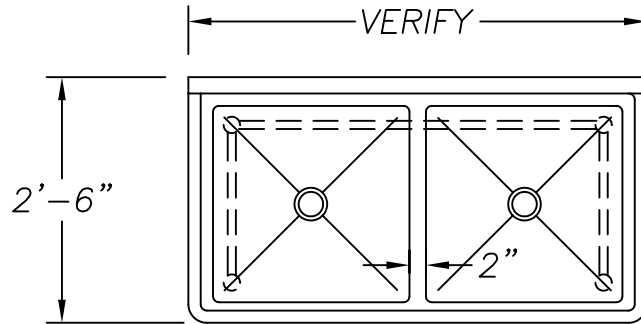
# Commercial Stainless

ITEM # \_\_\_\_\_

QTY. \_\_\_\_\_

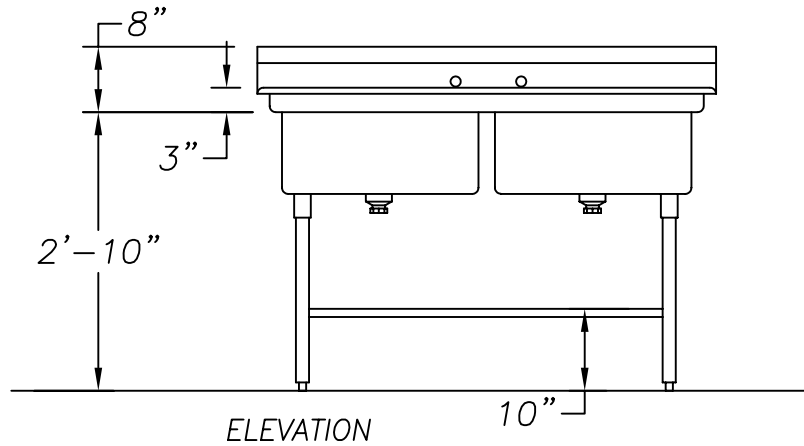
MODEL # C2BS

## TWO (2) BOWL SINK



PLAN VIEW

NOTE: FAUCET TO BE SUPPLIED BY OTHERS



ELEVATION

SINKS TO BE \_\_\_\_\_" LEFT TO RIGHT X \_\_\_\_\_" FRONT TO BACK X \_\_\_\_\_" DEEP

### OPTIONS

- |                                 |                              |
|---------------------------------|------------------------------|
| 1. 16 GA. S/S TOP               | 2. ROLLED MARINE EDGE        |
| 3. SPECIAL SPLASH HEIGHT        | 4. LEFT END SPLASH           |
| 5. 1 1/4" O.D. S/S CROSSBRACING | 6. RIGHT END SPLASH          |
| 7. OPTIONAL DRAIN               | 8. DISPOSER COLLAR           |
| 9. SOUND DEADENING              | 10. DISPOSER CONTROL BRACKET |
| 11. S/S WALL SPACERS            | 12. 1/4" R. COVED CORNERS    |