



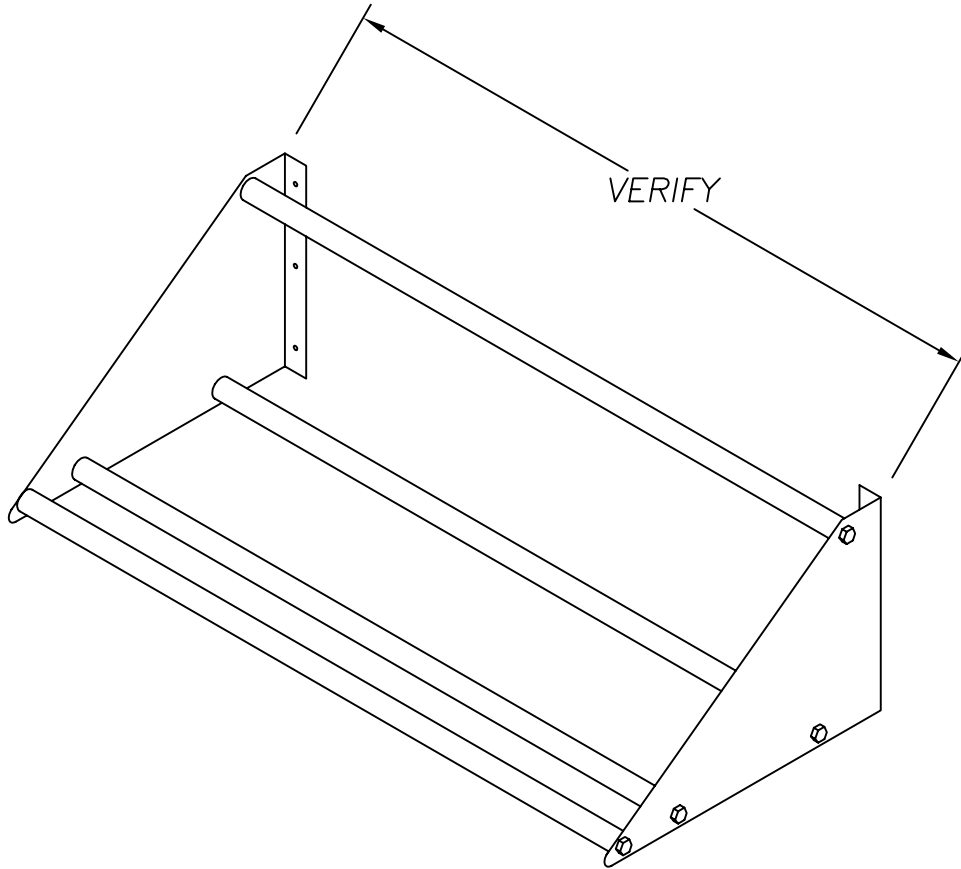
Commercial Stainless

ITEM # _____

QTY. _____

MODEL # CTSR

TUBULAR SLANT RACK



SPECIFICATIONS

TUBULAR SLANT RACK TO BE 16 GA. TYPE 304, 18/8 STAINLESS STEEL, POLISHED TO A # 4 FINISH. TUBING TO BE 1 1/4" O.D. S/S, FASTENED TO THE BRACKETS WITH EXPANDING FASTENERS.

OPTIONS

- 1. WELDED TO BRACKETS
- 2. EXTRA BRACKETS

955 PATTERSON DRIVE
BLOOMSBURG, PA. 17815
TELEPHONE: (570) 387-8980 FAX: (570) 387-8982



CUSTOM BUILT
FOODSERVICE
EQUIPMENT