



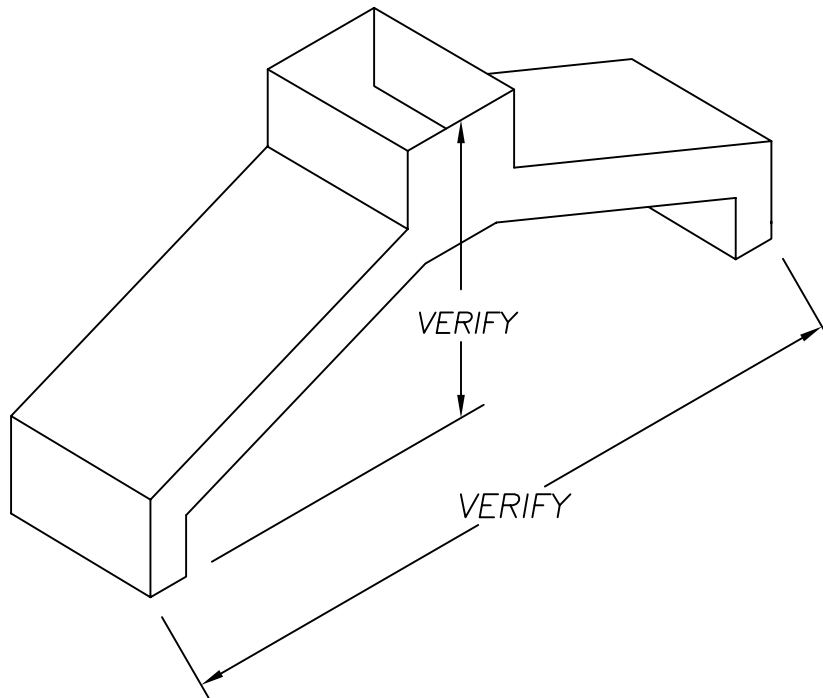
Commercial Stainless

ITEM # _____

QTY. _____

MODEL # CPL

PANT LEG DUCT



DISHWASHER MFG. _____

DISHWASHER MODEL _____

SPECIFICATIONS

PANT LEG DUCT TO BE 18 GA. TYPE 304, 18/8 STAINLESS STEEL POLISHED TO A # 4 SATIN FINISH. ALL EXTERNAL SEAMS WILL BE CONTINUOUSLY WELDED LIQUID TIGHT, GROUND SMOOTH, AND POLISHED.

OPTIONS

- 1. ALL 16 GA. CONSTRUCTION
- 2. CEILING COLLAR

955 PATTERSON DRIVE
BLOOMSBURG, PA. 17815
TELEPHONE: (570) 387-8980 FAX: (570) 387-8982



CUSTOM BUILT
FOODSERVICE
EQUIPMENT 