

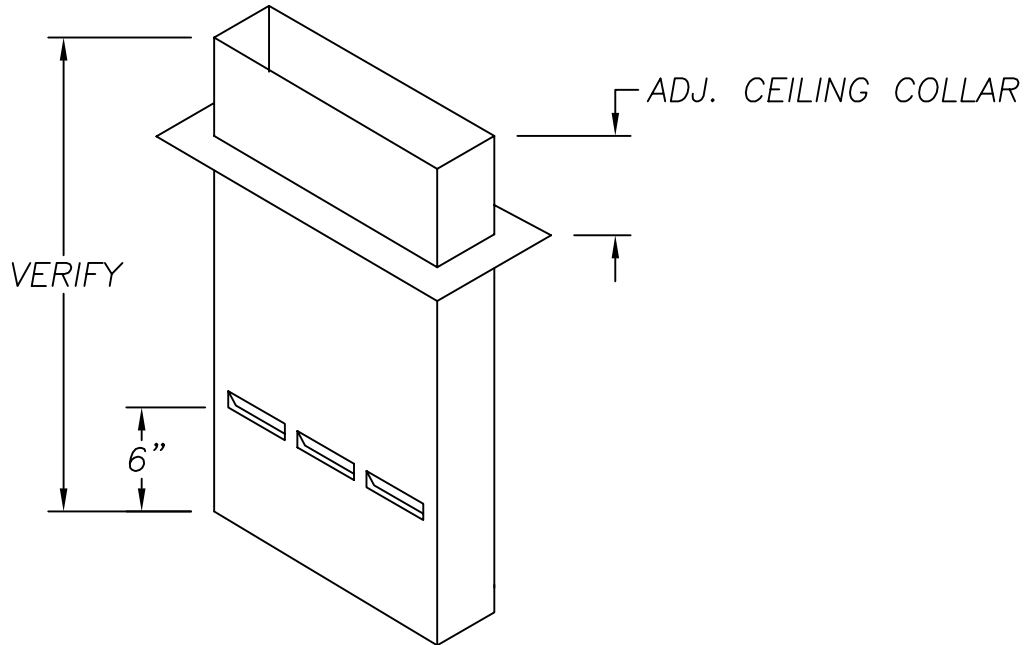
Commercial Stainless

ITEM # _____

QTY. _____

MODEL # CDRL

DUCT RISER WITH LOUVERS



AND POLISHED.

DISHWASHER MFG. _____

DISHWASHER MODEL _____

SPECIFICATIONS

DUCT RISERS TO BE 18 GA. TYPE 304, 18/8 STAINLESS STEEL, POLISHED TO A # 4 SATIN FINISH. ALL EXTERNAL SEAMS WILL BE CONTINUOUSLY WELDED LIQUID TIGHT, GROUND SMOOTH, AND POLISHED. 1" X 4" LOUVERS ON EACH SIDE TO BE DIE STAMPED INWARD.

OPTIONS

1. ALL 16 GA. CONSTRUCTION

955 PATTERSON DRIVE
 BLOOMSBURG, PA. 17815
 TELEPHONE: (570) 387-8980 FAX: (570) 387-8982



CUSTOM BUILT
 FOODSERVICE
 EQUIPMENT 