



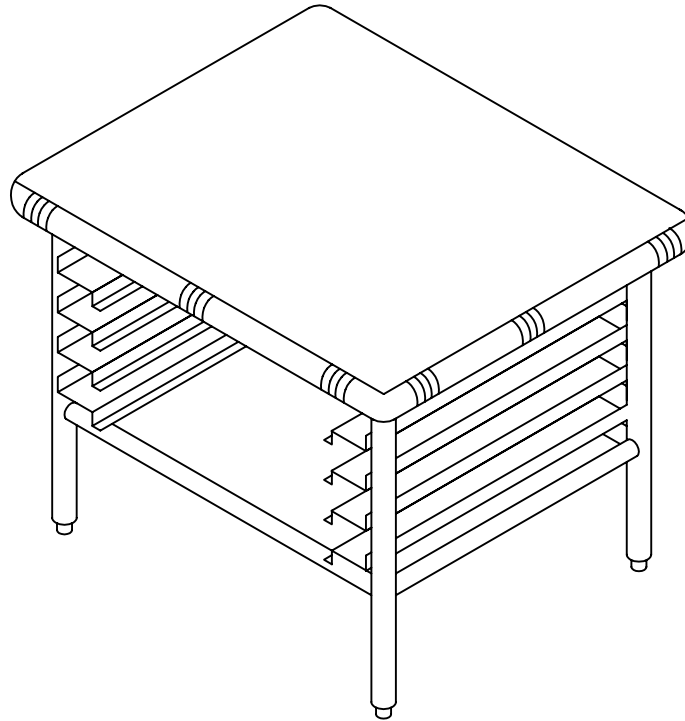
# Commercial Stainless

ITEM # \_\_\_\_\_

QTY. \_\_\_\_\_

MODEL # CWTRP

## SLICER / MIXER STAND WITH ROLLED EDGE TOP AND PAN SLIDES



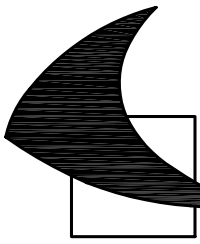
### SPECIFICATIONS

WORKTABLE TOP TO BE 14 GA. TYPE 304, 18/8 STAINLESS STEEL, POLISHED TO A # 4 SATIN FINISH. TOP TO HAVE ALL EDGES ROLLED DOWN ON A 1 1/2" DIAMETER. TABLE TO HAVE S/S CHANNEL STUD BOLTED TO TOP, WITH S/S LEG GUSSETS WELDED TO CHANNEL. LEGS TO BE 1 5/8" O.D. S/S TUBING WITH ADJUSTABLE S/S BULLET FEET. CROSSRAILS TO BE 1" O.D. S/S CONTINUOUSLY WELDED TO LEGS. REMOVABLE PAN SLIDES TO BE 18 GA. S/S. SLIDES TO HOLD 12" X 20" AND 18" X 26" PANS. ALL JOINTS TO BE CONTINUOUSLY WELDED, GROUND SMOOTH, AND POLISHED.

955 PATTERSON DRIVE  
BLOOMSBURG, PA. 17815  
TELEPHONE: (570) 387-8980 FAX: (570) 387-8982



CUSTOM BUILT  
FOODSERVICE  
EQUIPMENT 



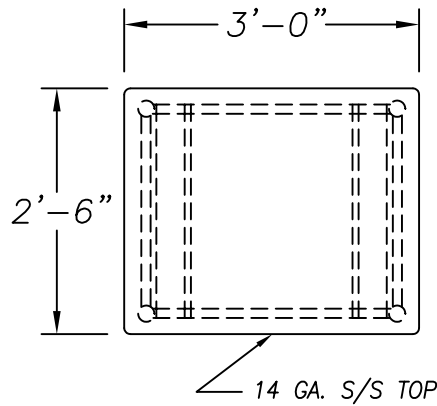
# Commercial Stainless

ITEM # \_\_\_\_\_

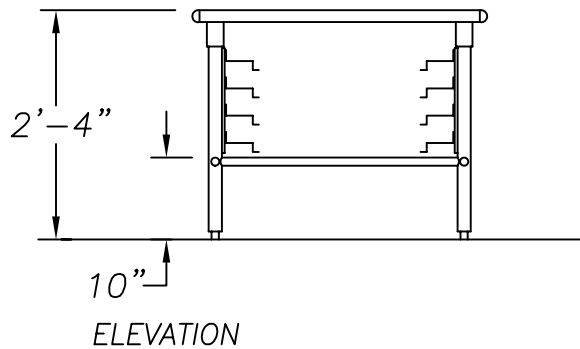
QTY. \_\_\_\_\_

MODEL # CWTRP

## SLICER / MIXER STAND WITH ROLLED EDGE TOP AND PAN SLIDES



PLAN VIEW



### OPTIONS

- |                              |                           |
|------------------------------|---------------------------|
| 1. 16 GA. S/S TOP            | 2. SOUND DEADENING        |
| 3. 1 1/4" O.D. S/S CROSSRAIL | 4. 5" DIA. SWIVEL CASTORS |
| 5. FLANGED FEET              |                           |