

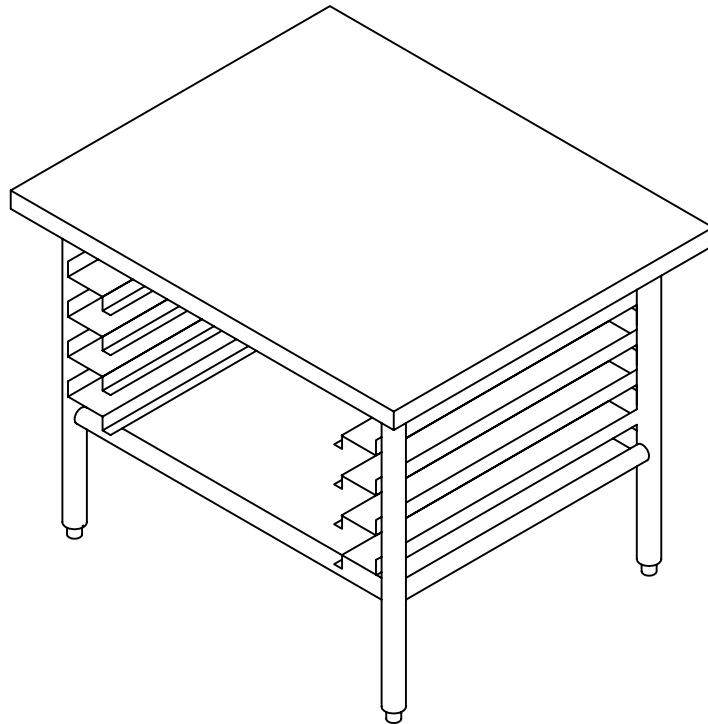
Commercial Stainless

ITEM # _____

QTY. _____

MODEL # CWTP

SLICER / MIXER STAND WITH PAN SLIDES



SPECIFICATIONS

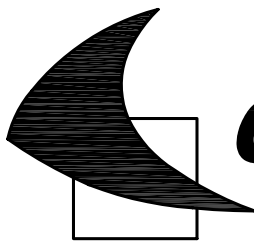
WORKTABLE TOP TO BE 14 GA. TYPE 304, 18/8 STAINLESS STEEL, POLISHED TO A # 4 SATIN FINISH. TOP EDGE TO HAVE 1 1/2" TURN DOWN WITH 1/2" RETURN. UNIT TO HAVE S/S CHANNEL STUD BOLTED TO TOP, WITH S/S LEG GUSSETS WELDED TO CHANNEL. LEGS TO BE 1 5/8" O.D. S/S TUBING WITH ADJUSTABLE S/S BULLET FEET. CROSS-RAILS TO BE 1" O.D. S/S CONTINUOUSLY WELDED TO LEGS. REMOVABLE PAN SLIDES TO BE 18 GA. S/S. SLIDES TO HOLD 12" X 20" AND 18" X 26" PANS. ALL JOINTS TO BE CONTINUOUSLY WELDED, GROUND SMOOTH, AND POLISHED.

955 PATTERSON DRIVE
BLOOMSBURG, PA. 17815
TELEPHONE: (570) 387-8980 FAX: (570) 387-8982



CUSTOM BUILT
FOODSERVICE
EQUIPMENT





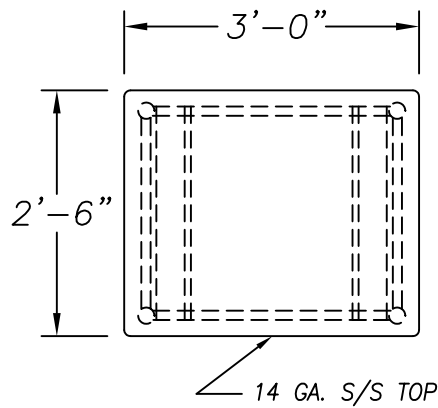
Commercial Stainless

ITEM # _____

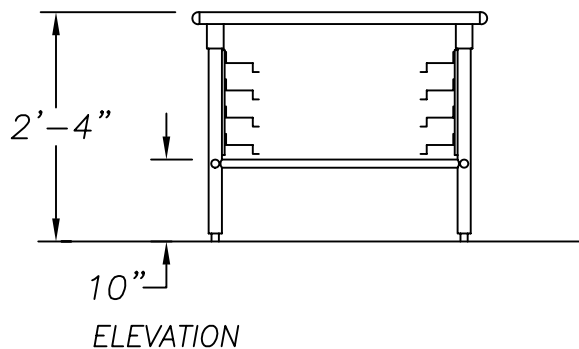
QTY. _____

MODEL # CWTP

SLICER / MIXER STAND WITH PAN SLIDES



PLAN VIEW



OPTIONS

1. 16 GA. S/S TOP
2. SOUND DEADENING
3. 1 1/4" O.D. S/S CROSSRAIL
4. 5" DIA. SWIVEL CASTORS
5. FLANGED FEET