

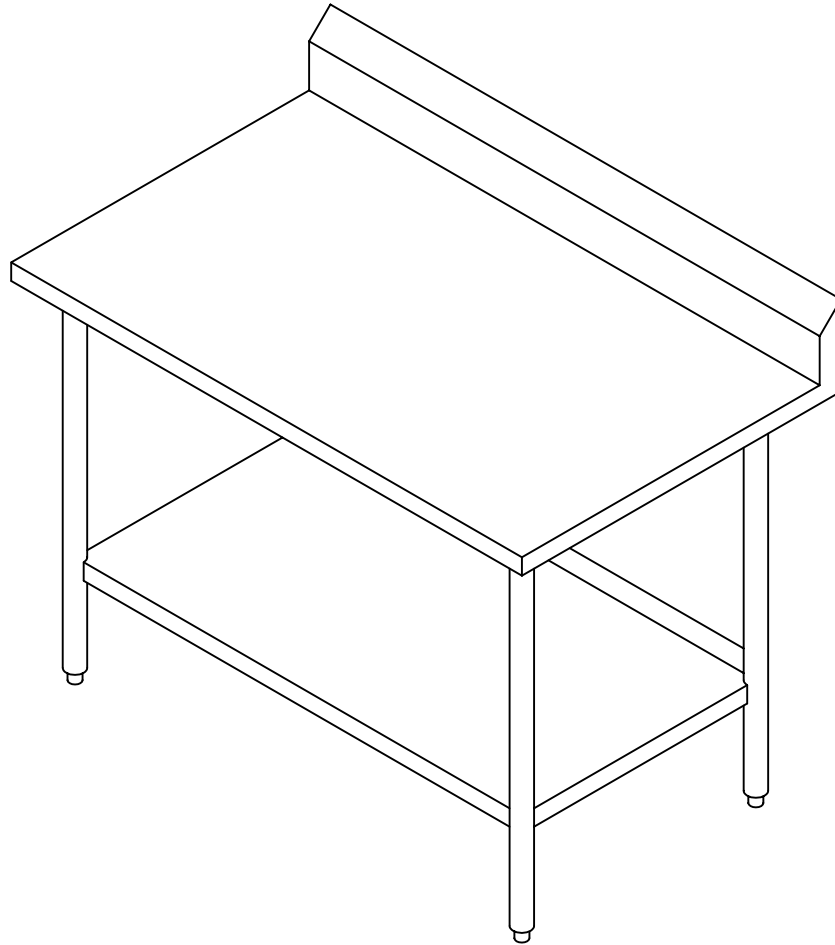
Commercial Stainless

ITEM # _____

QTY. _____

MODEL # CWTB1/4

WORKTABLE WITH BACKSPLASH (1/4" RADIUS)



SPECIFICATIONS

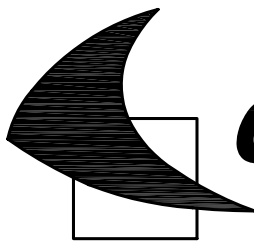
WORKTABLE TOP TO BE 14 GA. TYPE 304, 18/8 STAINLESS STEEL, POLISHED TO A # 4 FINISH. TOP EDGE TO HAVE 1 1/2" TURN DOWN WITH 1/2" RETURN. UNIT TO HAVE S/S CHANNEL STUD BOLTED TO TOP, WITH S/S LEG GUSSETS WELDED TO CHANNEL. LEGS TO BE 1 5/8" O.D. S/S TUBING WITH ADJUSTABLE S/S BULLET FEET. 16 GA. S/S UNDERSHELF TO BE NOTCHED & WELDED TO LEGS. UNDERSHELF TO BE TURNED UP 2" AT BACKSPLASH LOCATIONS. ALL JOINTS TO BE CONTINUOUSLY WELDED, GROUND SMOOTH, & POLISHED. BACKSPLASH TO BE TURNED UP ON A 1/4" RADIUS, 6" VERTICALLY, & BACK 2" ON A 45° ANGLE.

955 PATTERSON DRIVE
BLOOMSBURG, PA. 17815
TELEPHONE: (570) 387-8980 FAX: (570) 387-8982



CUSTOM BUILT
FOODSERVICE
EQUIPMENT





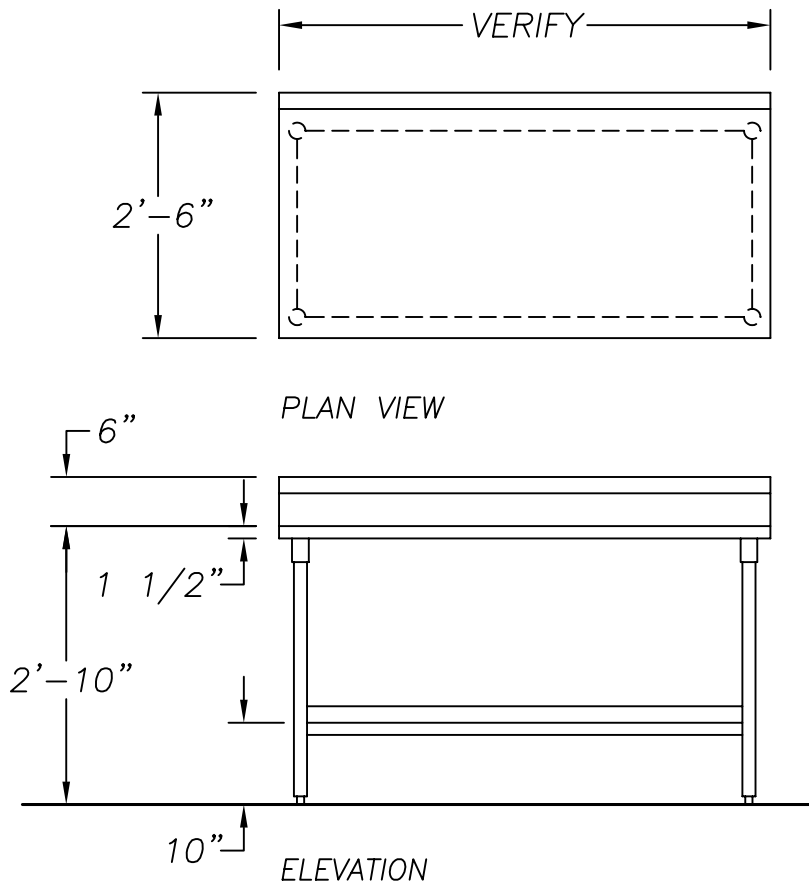
Commercial Stainless

ITEM # _____

QTY. _____

MODEL # CWTB1/4

WORKTABLE WITH BACKSPLASH (1/4" RADIUS)



OPTIONS

1. 16 GA. S/S TOP
2. SOUND DEADENING
3. OPTIONAL UNDERSHELF
4. DRAWER
5. FLANGED FEET
6. LEFT END SPLASH
7. 1" O.D. S/S CROSSRAIL
8. RIGHT END SPLASH
9. 1 1/4" O.D. S/S CROSSRAIL
10. 1" THICK SPLASH
11. ___" X ___" X ___" DEEP SINK
12. SPECIAL SPLASH HEIGHT
13. OPTIONAL DRAIN
14. URN TROUGH
15. S/S WALL SPACERS

955 PATTERSON DRIVE
BLOOMSBURG, PA. 17815
TELEPHONE: (570) 387-8980 FAX: (570) 387-8982



CUSTOM BUILT
FOODSERVICE
EQUIPMENT

