

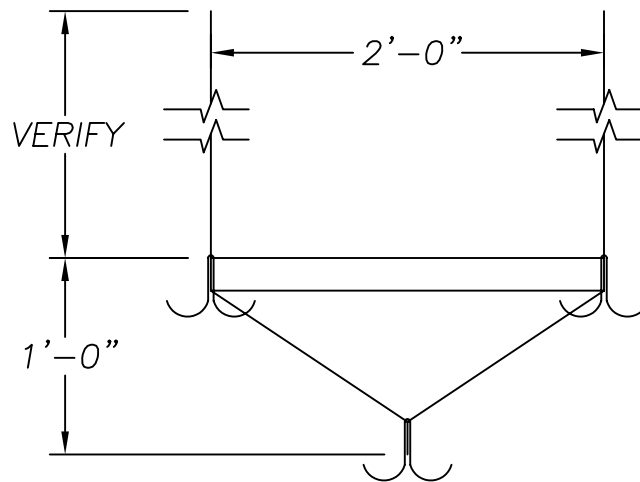
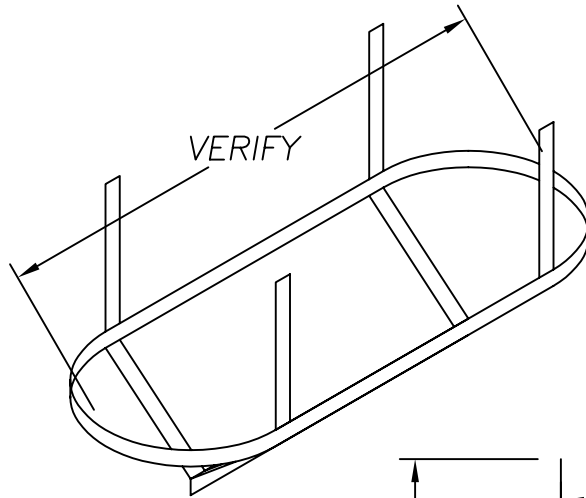
# Commercial Stainless

ITEM # \_\_\_\_\_

QTY. \_\_\_\_\_

MODEL # CCPR

## CEILING MOUNTED POT RACK



### SPECIFICATIONS

CEILING MOUNTED POT RACK TO BE 1/4" X 2" TYPE 304, 18/8 STAINLESS STEEL FLAT BAR, POLISHED TO A # 4 SATIN FINISH. ALL SEAMS TO BE CONTINUOUSLY WELDED, GROUND SMOOTH, & POLISHED. POT HOOKS TO BE S/S DOUBLE SIDED, SPACED APPROXIMATELY 9" APART. UNIT TO BE SUPPLIED WITH FOUR (4) 1/4" X 2" S/S FLAT BAR, 3'-0" LONG FOR MOUNTING.

### OPTIONS

1. EXTRA POT HOOKS

955 PATTERSON DRIVE  
BLOOMSBURG, PA. 17815  
TELEPHONE: (570) 387-8980 FAX: (570) 387-8982



CUSTOM BUILT  
FOODSERVICE  
EQUIPMENT 