

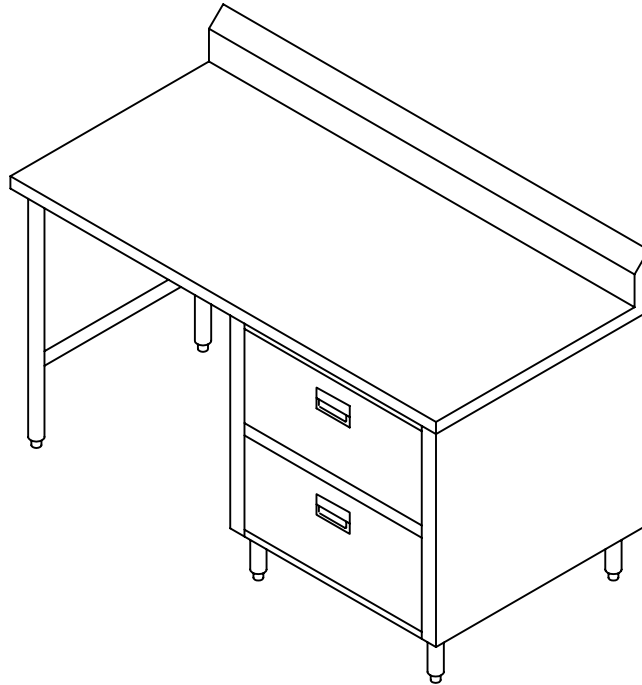
Commercial Stainless

ITEM # _____

QTY. _____

MODEL # CBT

BAKER'S TABLE



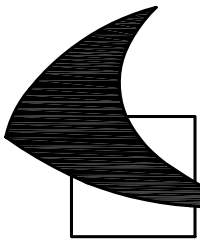
SPECIFICATIONS

BAKER'S TABLE TOP TO BE 14 GA. TYPE 304, 18/8 STAINLESS STEEL, POLISHED TO A # 4 SATIN FINISH. TOP EDGE TO HAVE 1 1/2" TURN DOWN WITH 1/2" RETURN. ENCLOSED DRAWER SECTION TO HAVE 18 GA. S/S END PANELS. DRAWERS TO HAVE TWO (2) REMOVABLE 20" X 20" X 10" DEEP PLASTIC LINERS. DRAWER SECTION TO HAVE 6" HIGH 1 5/8" O.D. S/S TUBING LEGS WITH ADJUSTABLE BULLET FEET. UNIT TO HAVE S/S CHANNEL STUD BOLTED TO TOP, WITH S/S LEG GUSSETS WELDED TO CHANNEL. LEGS TO BE 1 5/8" O.D. S/S TUBING WITH ADJUSTABLE BULLET FEET. CROSSBRACING TO BE 1" O.D. S/S TUBING WELDED TO LEGS AND FASTENED TO DRAWER SECTION FOR STABILITY. ALL JOINTS TO BE CONTINUOUSLY WELDED, GROUND SMOOTH, AND POLISHED. BACKSPASH TO BE TURNED UP ON A 1/4" RADIUS, 6" VERTICALLY, & BACK 2" ON A 45° ANGLE.

955 PATTERSON DRIVE
BLOOMSBURG, PA. 17815
TELEPHONE: (570) 387-8980 FAX: (570) 387-8982



CUSTOM BUILT
FOODSERVICE
EQUIPMENT 



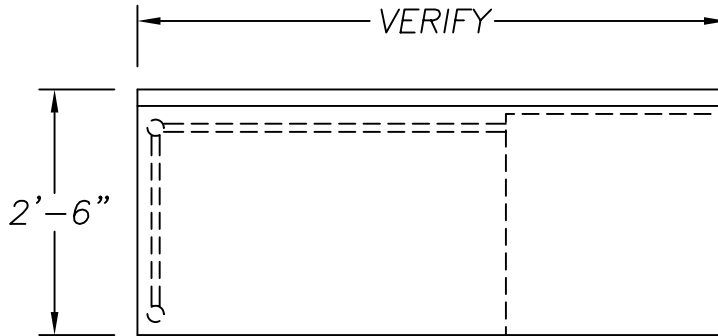
Commercial Stainless

ITEM # _____

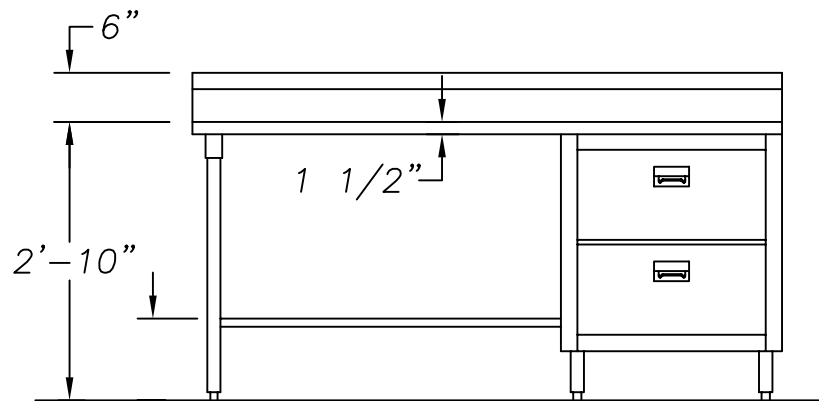
QTY. _____

MODEL # CBT

BAKER'S TABLE



PLAN VIEW



ELEVATION

AS SHOWN _____

OPPOSITE _____

OPTIONS

- | | |
|------------------------------|--|
| 1. 16 GA. S/S TOP | 2. RICHLITE TOP |
| 3. MARINE EDGE TOP | 4. 3 PLASTIC 5" DEEP DRAWERS |
| 5. ROLLED EDGE TOP | 6. 3 S/S 5" DEEP DRAWERS |
| 7. ROLLED MARINE EDGE TOP | 8. 1 1/2" X 1 1/2" X 1/8" STEEL FRAME |
| 9. 1 1/4" O.D. S/S CROSSRAIL | 10. 1 1/2" X 1 1/2" X 1/8" GALV. FRAME |
| 11. 3/4" R. COVED CORNERS | 12. 1 1/2" X 1 1/2" X 1/8" S/S FRAME |
| 13. LEFT END SPLASH | 14. FLANGED FEET |
| 15. RIGHT END SPLASH | 16. S/S WALL SPACERS |
| 17. SPICE BINS | 18. MAPLE TOP |

955 PATTERSON DRIVE
BLOOMSBURG, PA. 17815
TELEPHONE: (570) 387-8980 FAX: (570) 387-8982



CUSTOM BUILT
FOODSERVICE
EQUIPMENT 